

Environmentally friendly

Ergonomic

Efficient

Elegant

Elaborative

Expansibility

Easy Maintenance



LittleDuck

E7 SERIES REFRIGERATION SHOWCASE

Low Front & Wide Multi-Deck Case

E7 Auckland

Air-Curtain or Glass Door

Height 2030mm, 2180mm

Shelf Depth 500mm

Length 1250mm, 1875mm, 2200mm, 2500mm, 3750mm

Door: 2 Door 3 Door 4 Door 4 Door 6 Door

Optional: LED lighting, Energy-saving Fan



LittleDuck



CE ISO9001 ISO14001

Standard Options:

- Length Option: 1250mm, 1875mm, 2200mm, 2500mm & 3750mm, can be jointed together according to user's needs.
- Height Option: 2030mm, 2180mm
- Low front Edge: up to 350mm
- End panel option: all view Glass end panel, PU end panel, PU end panel with inner mirror.
- Standard Shelf option: 4 rows 500mm and 1 bottom for height 2030mm, 5 rows 500mm and 1 bottom for height 2180mm.
- Available light options include: canopy, shelf at T8 fluorescent.
- Available PVC night curtain
- Available plastic combo shelf-stop and price-tag
- Defrost: natural defrosting without electrical heater
- Controller: CAREL brand, Easy series
- Expansion Valve: DANFOSS, balance mechanical thermal expansion valve.
- Fan motor: EBM, conventional energy efficiency
- Refrigerant: R404a

Energy Saving Option:

- Glass Door: 2, 3, 4 and 6 Doors
- LED light for canopy and shelf
- High Efficiency Fans with CAREL multi-function controller

Intelligent Control Option:

- CAREL MPX Controller with thermal expansion valve (TEV).
- CAREL MPX Controller with electronic expansion valve (EEV).

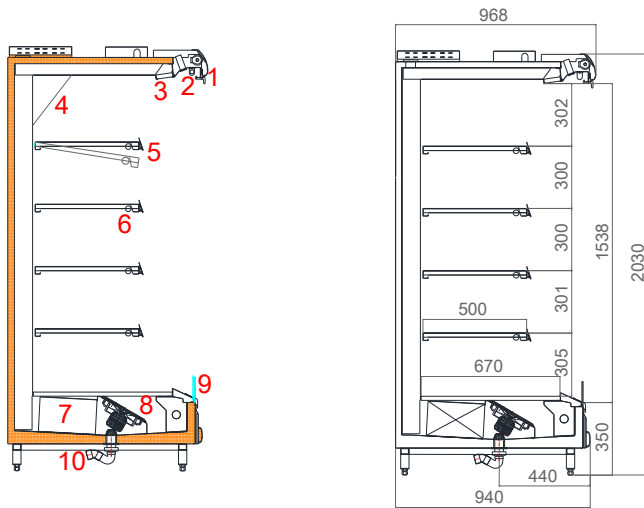
Application:

The different running temperature ranges can be set according to the different demands at -1°C to 10°C :

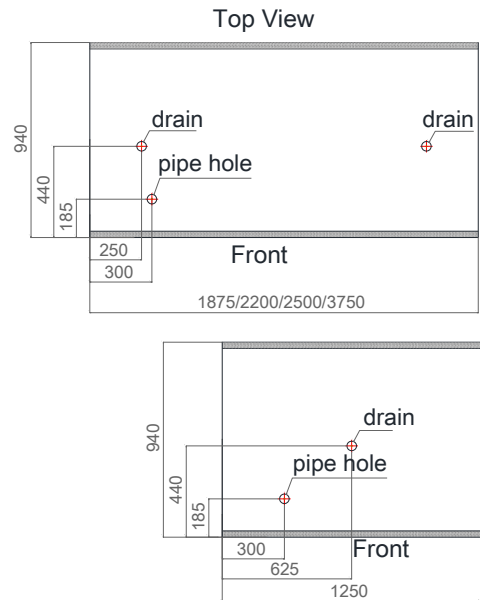
1. M1(-1~5°C) for fresh meat, sea food;
2. M2(-1~7°C) for daily products, such as beverage, milk products, sausages and cooked foods;
3. M3(1~10°C) for fruits and vegetables, etc.

Features and Benefits:

1. Low front edge up to 350mm, improving display effect.
2. New large capacity design can save space of supermarket.
3. Angle adjustable shelf achieved satisfy the different display effect.
4. Using stepwise laminar air curtain and back jet cooling technology achieve uniform temperature and effectively reduce consumption of cooling capacity.
5. Adopting efficient precooling evaporator design with corrugated fin, reduce frost and using Natural-Defrost mode for energy saving.
6. Designed filter for drainage inlet to prevent blockages of drain system.
7. Reserved a fuse in electrical control box, easy to replace.
8. Canopy light and shelf light can be controlled separately for power saving operation.
9. CO₂, Glycol and hot gas defrosting can be option for application of energy conservation and environmental protection.
10. Optional top mirror can improve visual effect.
11. The 6 rows of shelf will be available, as optional item on height 2180mm model, use for displaying eggs, fruit etc.
12. Optional hinged glass door, for energy saving upto 35%.



- 1. Night Curtain
- 2. Light
- 3. Air Curtain
- 4. Optional Mirror
- 5. Angle Option
- 6. Shelf Light
- 7. Coil
- 8. Fan
- 9. Front Edge Glass
- 10. Drain

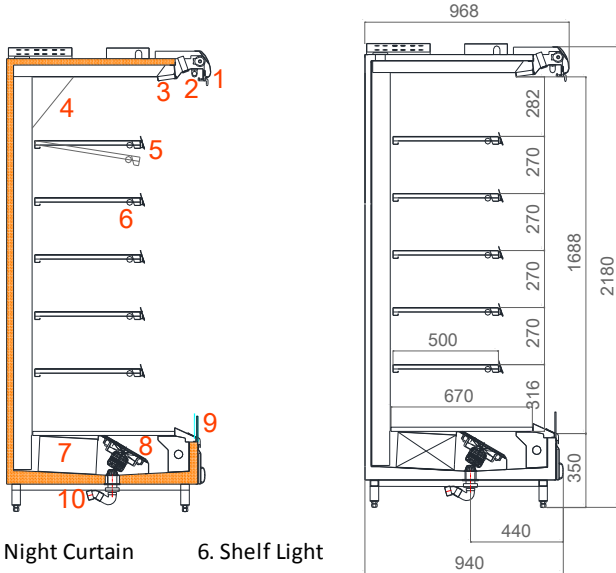


SPEC & CAPACITY	Length	Height, mm	Model Number	Display Area, m ²	Capacity, dm ³	Display Area, ft ²	Capacity, ft ³
	12(1250mm)	2030	BZ-E7OK-F12203Y-01	2.06	963	22.17	33.99
	18(1875mm)	2030	BZ-E7OK-F18203Y-01	3.09	1,444	33.26	50.99
	22(2200mm)	2030	BZ-E7OK-F22203Y-01	3.63	1,694	39.07	59.82
	25(2500mm)	2030	BZ-E7OK-F25203Y-01	4.13	1,925	44.45	67.98
	37(3750mm)	2030	BZ-E7OK-F37203Y-01	6.19	2,888	66.63	101.97

ELECTRICAL DATA	Case Length	Lighting Data @ 220V				Fan Data @ 220V				Electrical Heater			
		Lamps Qty.	Fluorescent T8 Lighting		LED Lighting		Fans Qty.	Standard Fans		High Efficiency Fans		Anti-Sweat @220V	
			Amps	Watts	Amps	Watts		Amps	Watts	Amps	Watts	Amps	Watts
12(1250mm)	5	0.82	180	0.41	90	2	0.28	62	0.06	14	0.17	36.5	
18(1875mm)	10	0.87	192	0.56	123	3	0.42	93	0.10	21	0.17	36.8	
22(2200mm)	10	1.36	300	0.68	150	4	0.56	124	0.13	28	0.19	41.3	
25(2500mm)	10	1.64	360	0.82	180	4	0.56	124	0.13	28	0.22	49.3	
37(3750mm)	15	2.45	540	1.23	270	6	0.85	186	0.19	42	0.34	74.3	

REFRIGERATION DATA	Case Length	Application at T=25 °C, RH=60%	Refrigerant Gas	Required Cooling Capacity, W	Saturated suction Temp. °C	Input Power, Watts	Rated Current, Amps	Power Consumption, Kwh/24h
	12(1250mm)	3M1(-1~5°C)	R404a	2400	-10	279	2.07	4.52
	18(1875mm)	3M1(-1~5°C)	R404a	3230	-10	322	3.77	5.42
	22(2200mm)	3M1(-1~5°C)	R404a	3700	-10	465	3.99	7.57
	25(2500mm)	3M1(-1~5°C)	R404a	4130	-10	533	4.02	8.48
	37(3750mm)	3M1(-1~5°C)	R404a	6190	-10	800	6.04	12.73





- 1. Night Curtain
- 2. Light
- 3. Air Curtain
- 4. Optional Mirror
- 5. Angle Option
- 6. Shelf Light
- 7. Coil
- 8. Fan
- 9. Front Edge Glass
- 10. Drain

SPEC & CAPACITY	Length	Height, mm	Model Number	Display Area, m ²	Capacity, dm ³	Display Area, ft ²	Capacity, ft ³
	12(1250mm)	2180	BZ-E7OK-F12223Y-01	2.25	1,050	24.22	37.08
	18(1875mm)	2180	BZ-E7OK-F18223Y-01	3.38	1,575	36.38	55.62
	22(2200mm)	2180	BZ-E7OK-F22223Y-01	3.96	1,848	42.63	65.26
	25(2500mm)	2180	BZ-E7OK-F25223Y-01	4.5	2,100	48.44	74.16
	37(3750mm)	2180	BZ-E7OK-F37223Y-01	6.75	3,150	72.66	111.24

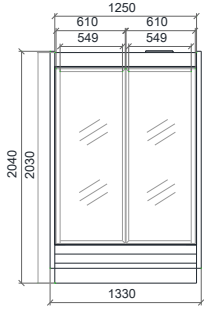
ELECTRICAL DATA	Case Length	Lighting Data @ 220V				Fan Data @ 220V				Electrical Heater			
		Lamps Qty.	Fluorescent T8 Lighting		LED Lighting		Fans Qty.	Standard Fans		High Efficiency Fans		Anti-Sweat @220V	
			Amps	Watts	Amps	Watts		Amps	Watts	Amps	Watts	Amps	Watts
		12(1250mm)	6	0.98	216	0.49	108	2	0.28	62	0.06	14	0.17
18(1875mm)	12	1.04	228	0.67	147	3	0.42	93	0.10	21	0.17	36.8	
22(2200mm)	12	1.64	360	0.82	180	4	0.56	124	0.13	28	0.19	41.3	
25(2500mm)	12	1.96	432	0.98	216	4	0.56	124	0.13	28	0.22	49.3	
37(3750mm)	18	2.95	648	1.47	324	6	0.85	186	0.19	42	0.34	74.3	

REFRIGERATION DATA	Case Length	Application at T=25 °C, RH=60%	Refrigerant Gas	Required Cooling Capacity, W	Saturated suction Temp. °C	Input Power, Watts	Rated Current, Amps	Power Consumption, Kwh/24h
	12(1250mm)	3M1(-1~5 °C)	R404a	2,640	-10	315	2.37	4.96
	18(1875mm)	3M1(-1~5 °C)	R404a	3,690	-10	358	4.37	5.85
	22(2200mm)	3M1(-1~5 °C)	R404a	4,220	-10	525	4.59	8.29
	25(2500mm)	3M1(-1~5 °C)	R404a	4,710	-10	605	4.62	9.34
	37(3750mm)	3M1(-1~5 °C)	R404a	6,990	-10	908	6.94	14.02

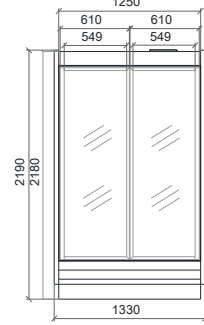


E7 Auckland Height 2180mm

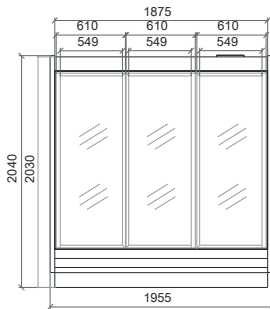
E7 Auckland H2030 2 Door



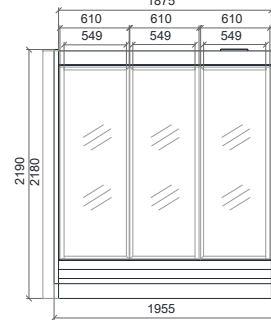
E7 Auckland H2180 2 Door



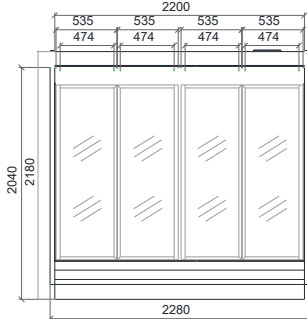
E7 Auckland H2030 3 Door



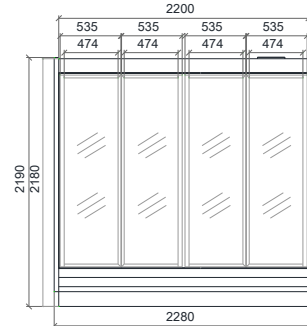
E7 Auckland H2180 3 Door



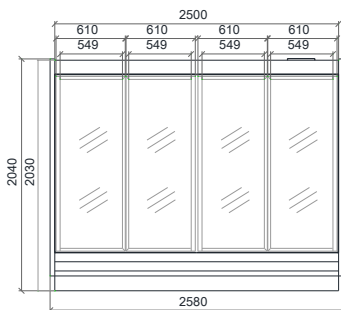
E7 Auckland H2030 4 Door



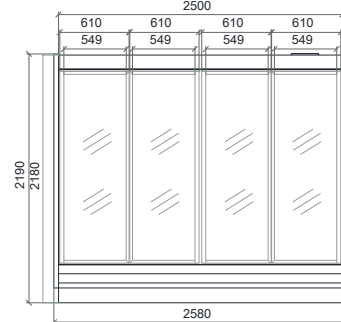
E7 Auckland H2180 4 Door



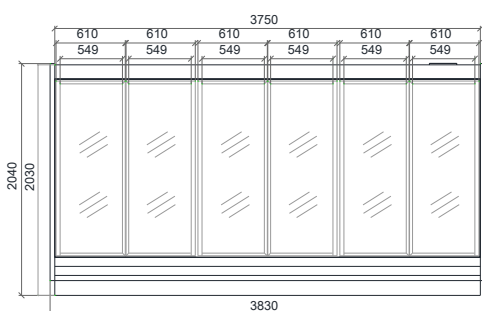
E7 Auckland H2030 4 Door



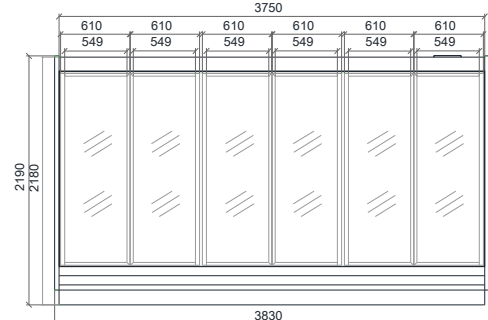
E7 Auckland H2180 4 Door

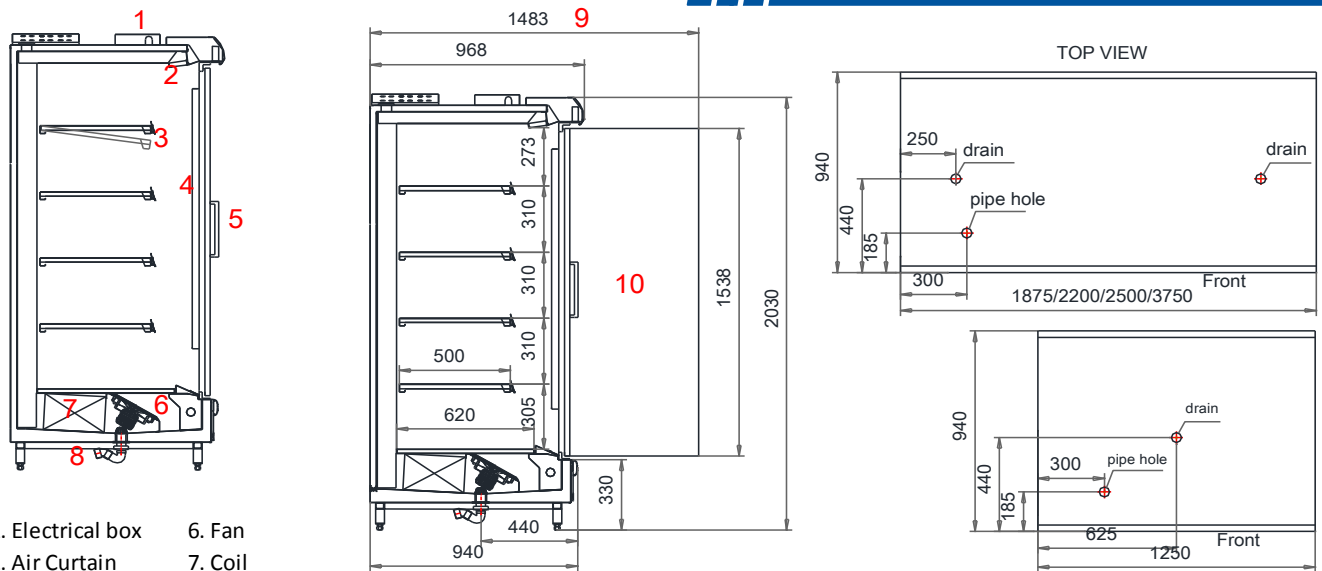


E7 Auckland H2030 6 Door



E7 Auckland H2180 6 Door





- 1. Electrical box
- 2. Air Curtain
- 3. Angle Option
- 4. Door Light
- 5. Door Handle
- 6. Fan
- 7. Coil
- 8. Drain
- 9. Max. Developed Depth
- 10. Door Opening Space

SPEC & CAPACITY	Door Qty.	Door Size, mm	Length	Case Height, mm	Model Number	Display Area, m ²	Capacity, dm ³
	2 Door	W610/H1538	12(1250mm)	2030	BZ-E7OK-F12203S-01	1.39	963
	3 Door	W610/H1538	18(1875mm)	2030	BZ-E7OK-F18203S-01	2.09	1444
	4 Door	W535/H1538	22(2200mm)	2030	BZ-E7OK-F22203S-01	2.61	1694
	4 Door	W610/H1538	25(2500mm)	2030	BZ-E7OK-F25203S-01	2.78	1925
	6 Door	W610/H1538	37(3750mm)	2030	BZ-E7OK-F37203S-01	4.18	2888

ELECTRICAL DATA	Case Length	Lighting Data @ 220V				Fan Data @ 220V				Electrical Heater @ 220V					
		Lamps Qty.	Fluorescent T8 Lighting		LED Lighting		Fans Qty.	Standard Fans		High Efficiency Fans		Frame Anti-Sweat		Door Anti-Sweat	
			Amps	Watts	Amps	Watts		Amps	Watts	Amps	Watts	Amps	Watts	Amps	Watts
		12(2Door)	2	0.27	72	0.14	36	2	0.28	62	0.06	14	0.52	114.5	0.37
18(3Door)	4	0.55	144	0.27	72	3	0.42	93	0.10	21	0.7	154.8	0.56	123	
22(4Door)	4	0.55	144	0.27	72	4	0.56	124	0.13	28	0.81	177.3	0.64	140	
25(4Door)	4	0.55	144	0.27	72	4	0.56	124	0.13	28	0.93	205.3	0.75	164	
37(6Door)	6	0.82	216	0.41	108	6	0.85	186	0.19	42	1.4	308.3	1.12	246	

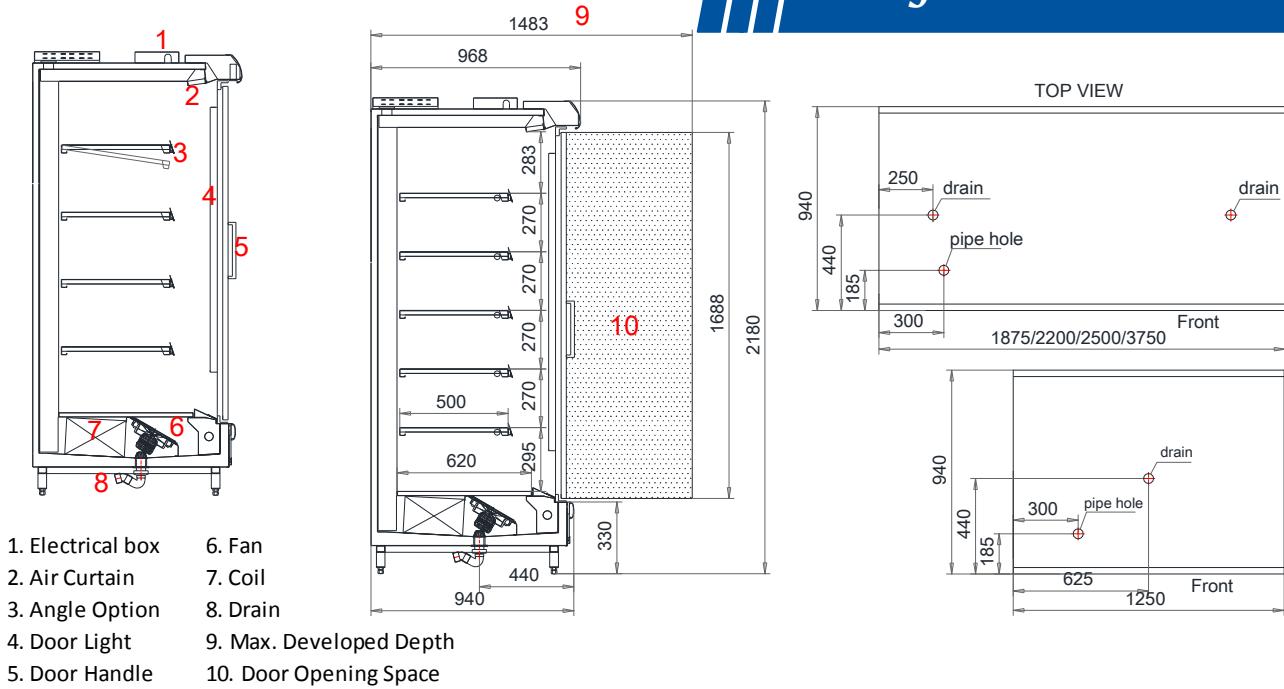
REFRIGERATION DATA	Case Length	Application at T=25 °C, RH=60%	Refrigerant Gas	Required Cooling Capacity, W	Saturated suction Temp. °C	Input Power, Watts	Rated Current, Amps	Power Consumption, Kwh/24h
	12(2Door)	3M1(-1~5°C)	R404a	1,560	-6	319	2.12	6.92
	18(3Door)	3M1(-1~5°C)	R404a	2,100	-6	491	3.4	10.34
	22(4Door)	3M1(-1~5°C)	R404a	2,450	-6	561	3.81	12.03
	25(4Door)	3M1(-1~5°C)	R404a	2,680	-6	613	4.13	13.28
	37(6Door)	3M1(-1~5°C)	R404a	4,030	-6	920	6.2	19.93



E7 Auckland Glass Door Height 2030mm

E7 Series Low Front Multi-Deck Case

Auckland-Glass Door Height 2180mm



SPEC & CAPACITY	Door Qty.	Door Size, mm	Length	Case Height, mm	Model Number	Display Area, m ²	Capacity, dm ³
	2 Door	W610/H1688	12(1250mm)	2180	BZ-E7OK-F12223S-01	1.52	1050
	3 Door	W610/H1688	18(1875mm)	2180	BZ-E7OK-F18223S-01	2.28	1575
	4 Door	W535/H1688	22(2200mm)	2180	BZ-E7OK-F22223S-01	2.84	1848
	4 Door	W610/H1688	25(2500mm)	2180	BZ-E7OK-F25223S-01	3.04	2100
	6 Door	W610/H1688	37(3750mm)	2180	BZ-E7OK-F37223S-01	4.56	3150

ELECTRICAL DATA	Case Length	Lighting Data @ 220V				Fan Data @ 220V				Electrical Heater @220V					
		Lamps Qty.	Fluorescent T8 Lighting		LED Lighting		Fans Qty.	Standard Fans		High Efficiency Fans		Frame Anti-Sweat		Door Anti-Sweat	
			Amps	Watts	Amps	Watts		Amps	Watts	Amps	Watts	Amps	Watts	Amps	Watts
		12(2Door)	2	0.327	72	0.164	36	2	0.28	62	0.06	14	0.52	114.5	0.41
18(3Door)	4	0.655	144	0.327	72	3	0.42	93	0.10	21	0.7	154.8	0.61	135	
22(4Door)	4	0.655	144	0.327	72	4	0.56	124	0.13	28	0.81	177.3	0.73	160	
25(4Door)	4	0.655	144	0.327	72	4	0.56	124	0.13	28	0.93	205.3	0.82	180	
37(6Door)	6	0.982	216	0.491	108	6	0.85	186	0.19	42	1.4	308.3	1.23	270	

REFRIGERATION DATA	Case Length	Application at T=25 °C, RH=60%	Refrigerant Gas	Required Cooling Capacity, W	Saturated suction Temp. °C	Input Power, Watts	Rated Current, Amps	Power Consumption, Kwh/24h
	12(2Door)	3M1(-1~5°C)	R404a	1,720	-6	327	2.62	7.12
	18(3Door)	3M1(-1~5°C)	R404a	2,400	-6	503	3.7	10.63
	22(4Door)	3M1(-1~5°C)	R404a	2,750	-6	581	4.21	12.51
	25(4Door)	3M1(-1~5°C)	R404a	3,060	-6	629	4.53	13.66
	37(6Door)	3M1(-1~5°C)	R404a	4,550	-6	944	6.8	20.5

