

Environmentally friendly
Ergonomic
Efficient
Elegant
Elaborative
Expansibility
Easy Maintenance



LittleDuck
E7 SERIES REFRIGERATION SHOWCASE

Combo Reach in & Island Freezer

E7 ST.Paul

Height 2030mm, 2180mm

Length Option: 1250mm, 1875mm, 2200mm, 2500mm, 3750mm

Door Option: 2 Door, 3 Door, 3 Door, 4 Door, 6 Door

Optional: LED lighting, Energy-saving Fan



LittleDuck

Top Reach-in Case

Bottom Island Case



- * CE
- * ISO9001
- * ISO14001

Standard Options:

- Door/Length Option: 2Door/1250mm, 3Door/1875mm, 3Door/2200mm, 4Door/2500mm & 6Door/3750mm, can be jointed together according to user's needs.
- Height Option: 2030mm, 2180mm
- Front edge of Island 480mm or 530mm
- End panel option: PU-Glass end panel, PU end panel.
- Standard wire mesh shelf option for the top reach-in case: 2 rows 370mm and 1 bottom for height 2030mm, 3 rows 370mm and 1 bottom for height 2180mm.
- Available light: Door s and canopy at T8 fluorescent.
- Available plastic combo shelf-stop and price-tag
- Available night curtain for bottom island
- Defrost: electrical heater
- Controller: CAREL brand, Easy series
- Expansion Valve: DANFOSS, balance mechanical thermal expansion valve.
- Fan motor: EBM, conventional energy efficiency
- Refrigerant: R404a

Energy Saving Option:

- Bottom Island adding sliding glass door
- LED door light
- High Efficiency Fans with CAREL multi-function controller

Intelligent Control Option:

- CAREL MPX Controller with thermal expansion valve (TEV).
- CAREL MPX Controller with electronic expansion valve (EEV).

Application:

The combo of top reach-in case and bottom island case can be used for frozen food, ice cream, sea food etc. at -18 to -22°C .

Features and Benefits:

1. Adopted one-piece composite structure which is top reach-in freezer and bottom island freezer, make full of the space of supermarket, save covers an area of 50% compared with the island freezer with same capacity.
2. The bottom island freezer can choose night curtain type, and also it can choose sliding glass cover for energy saving up to 15%.
3. Top reach-in case adopted antifogging glass door and vertical door light can enhance the display effect.
4. The glass door designed open limiter for save handling; self-closing design is easy to use.
5. The glass door made of multilayer insulation glass, effectively prevent heat conduction, energy-saving up to 50% than open freezer.
6. The multideck wire-shelves can be combined freely, and shelf angle can be adjustable to achieve satisfy the different display effect.
7. The canopy light is optional, it can improve display effect.
8. The electronic ballast is used for energy saving, and also can avoid the lights flashing.
9. Adopted unique evaporator design to reduce frosting, and can use Hot Gas Defrost for energy saving.
10. The bottom shelves, back plates and fan cover plate adopt easy disassemble design, make the daily inspection and maintenance is more convenient.
11. CO_2 and glycol can be option for application of energy conservation and environmental protection.
12. Reserved a fuse in control box, easy to replace.

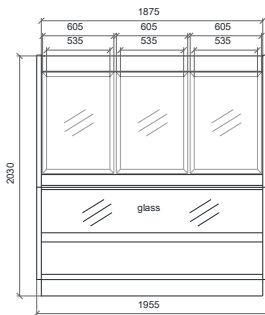
E7 St. Paul H2030 2 Door



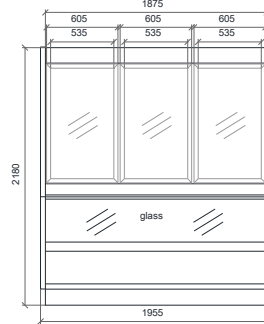
E7 St. Paul H2180 2 Door



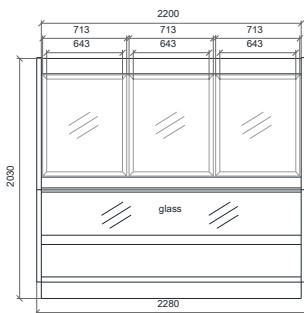
E7 St. Paul H2030 3 Door



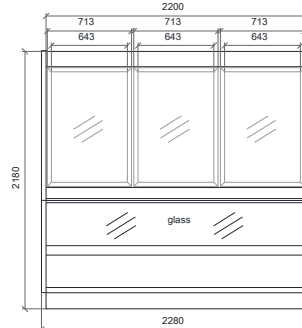
E7 St. Paul H2180 3 Door



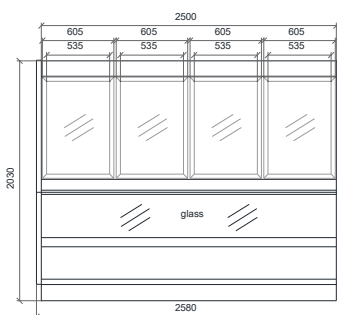
E7 St. Paul H2030 3 Door



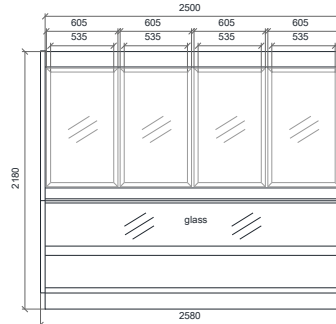
E7 St. Paul H2180 3 Door



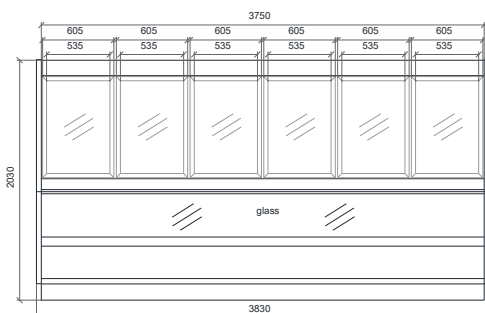
E7 St. Paul H2030 4 Door



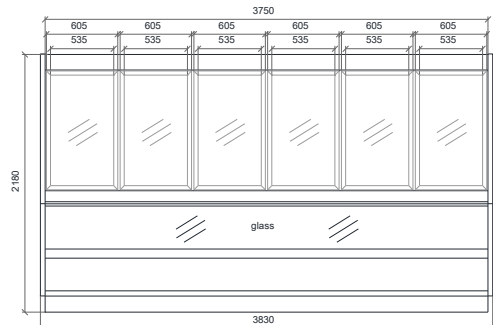
E7 St. Paul H2180 4 Door

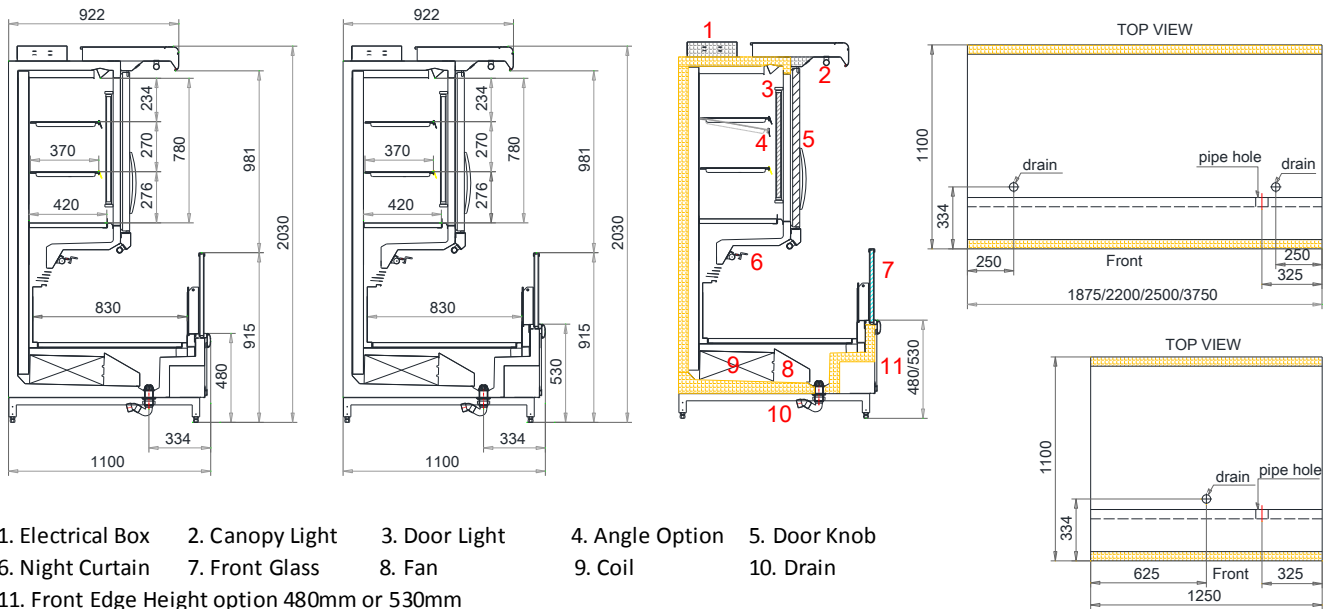


E7 St. Paul H2030 6 Door



E7 St. Paul H2180 6 Door





- 1. Electrical Box 2. Canopy Light 3. Door Light 4. Angle Option 5. Door Knob
- 6. Night Curtain 7. Front Glass 8. Fan 9. Coil 10. Drain
- 11. Front Edge Height option 480mm or 530mm

Capacity	Door	Length	Height	Front Edge	Island Cover	Model Number	Display Area, m ²	Capacity, dm ³
	2 Door	1250mm	2030mm	480mm	Night Curtain	BD-E7SP-F12204-01	1.27	690
	3 Door	1875mm	2030mm	480mm	Night Curtain	BD-E7SP-F18204-01	1.91	1,035
	3 Door	2200mm	2030mm	480mm	Night Curtain	BD-E7SP-F22204-01	2.27	1,215
	4 Door	2500mm	2030mm	480mm	Night Curtain	BD-E7SP-F25204-01	2.55	1,380
	6 Door	3750mm	2030mm	480mm	Night Curtain	BD-E7SP-F37204-01	3.82	2,070

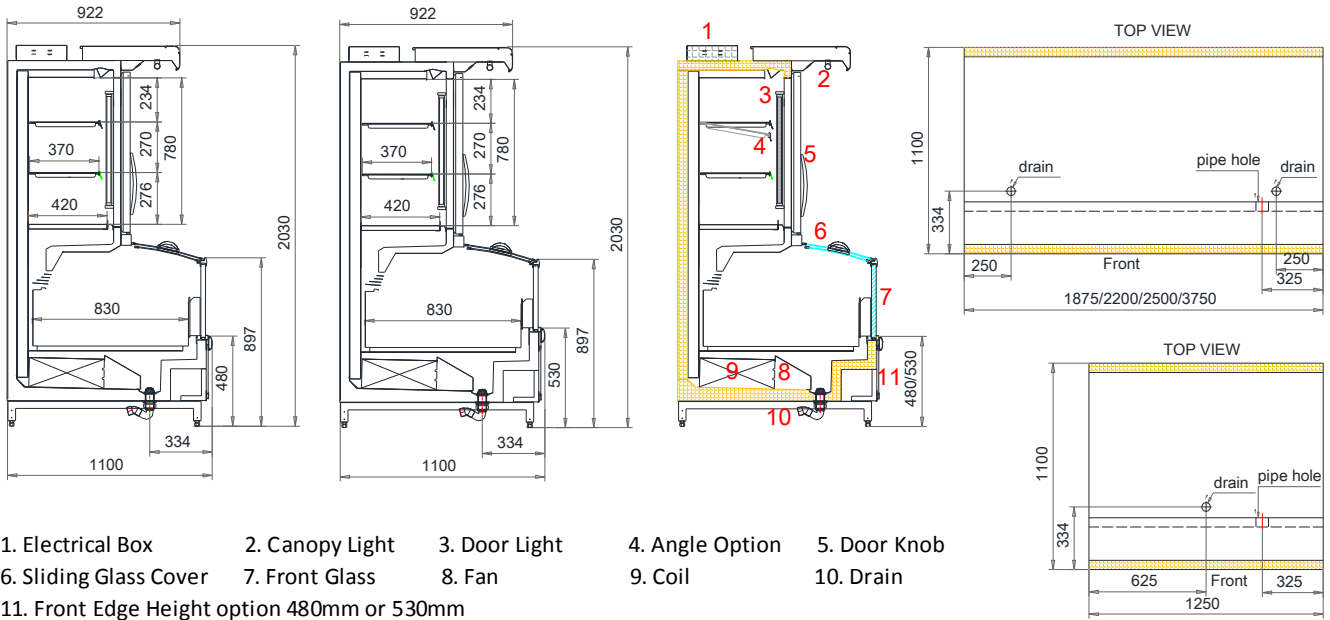
Light & Fan Data	Case Length	Height	Lighting Data @ 220V						Fan Data @ 220V					
			Lamps Qty.		Fluorescent T8 Lighting		LED Lighting		Fans Qty.	Standard Fans		High Efficiency Fans		
			Door	Canopy	Amps	Watts	Amps	Watts		Amps	Watts	Amps	Watts	
2 Door	2030mm	3	1	0.41	90	0.25	54	1	0.14	31	0.03	7		
3 Door	2030mm	4	2	0.55	120	0.34	75	2	0.28	62	0.06	14		
3 Door	2030mm	4	2	0.63	138	0.37	81	2	0.28	62	0.06	14		
4 Door	2030mm	5	2	0.74	162	0.44	96	2	0.28	62	0.06	14		
6 Door	2030mm	7	3	1.06	234	0.63	138	3	0.42	93	0.10	21		

Heater Data	Case Length	Height	Frame Anti-Sweat @220V		Door Anti-Sweat @220V		Defrost @380V	
			Amps	Watts	Amps	Watts	Amps	Watts
	2 Door	2030mm	1.46	322	0.62	137	7.27	1,600
3 Door	2030mm	1.97	433	0.94	206	10.91	2,400	
3 Door	2030mm	2.18	479	0.95	210	15.27	3,360	
4 Door	2030mm	2.59	569	1.25	274	13.64	3,000	
6 Door	2030mm	3.82	841	1.87	411	20.45	4,500	

Refrigeration Data	Case Length	Height	Island Cover	Application at T=25 °C, RH=60%	Refrigerant Gas	Required Cooling Capacity, W	Saturated suction Temp. °C	Input Power, Watts	Rated Current, Amps	Power Consumption, Kwh/24h
	2 Door	2030mm	Night Curtain	-18°C ~ -22°C	R404a	1,300	-35	2,144	15.48	15.93
	3 Door	2030mm	Night Curtain	-18°C ~ -22°C	R404a	1,600	-35	3,173	23.5	22.84
	3 Door	2030mm	Night Curtain	-18°C ~ -22°C	R404a	2,000	-35	4,183	28.07	26.06
	4 Door	2030mm	Night Curtain	-18°C ~ -22°C	R404a	2,200	-35	3,995	29.32	29.53
	6 Door	2030mm	Night Curtain	-18°C ~ -22°C	R404a	2,800	-35	5,971	43.73	43.88



E7 ST.PAUL height 2030mm —Island With Night Curtain



- 1. Electrical Box 2. Canopy Light 3. Door Light 4. Angle Option 5. Door Knob
- 6. Sliding Glass Cover 7. Front Glass 8. Fan 9. Coil 10. Drain
- 11. Front Edge Height option 480mm or 530mm

Capacity	Door	Length	Height	Front Edge	Island Cover	Model Number	Display Area, m ²	Capacity, dm ³
	2 Door	1250mm	2030mm	480mm	Sliding Glass	BD-E7SP-F12204T-01	1.27	690
	3 Door	1875mm	2030mm	480mm	Sliding Glass	BD-E7SP-F18204T-01	1.91	1,035
	3 Door	2200mm	2030mm	480mm	Sliding Glass	BD-E7SP-F22204T-01	2.27	1,215
	4 Door	2500mm	2030mm	480mm	Sliding Glass	BD-E7SP-F25204T-01	2.55	1,380
	6 Door	3750mm	2030mm	480mm	Sliding Glass	BD-E7SP-F37204T-01	3.82	2,070

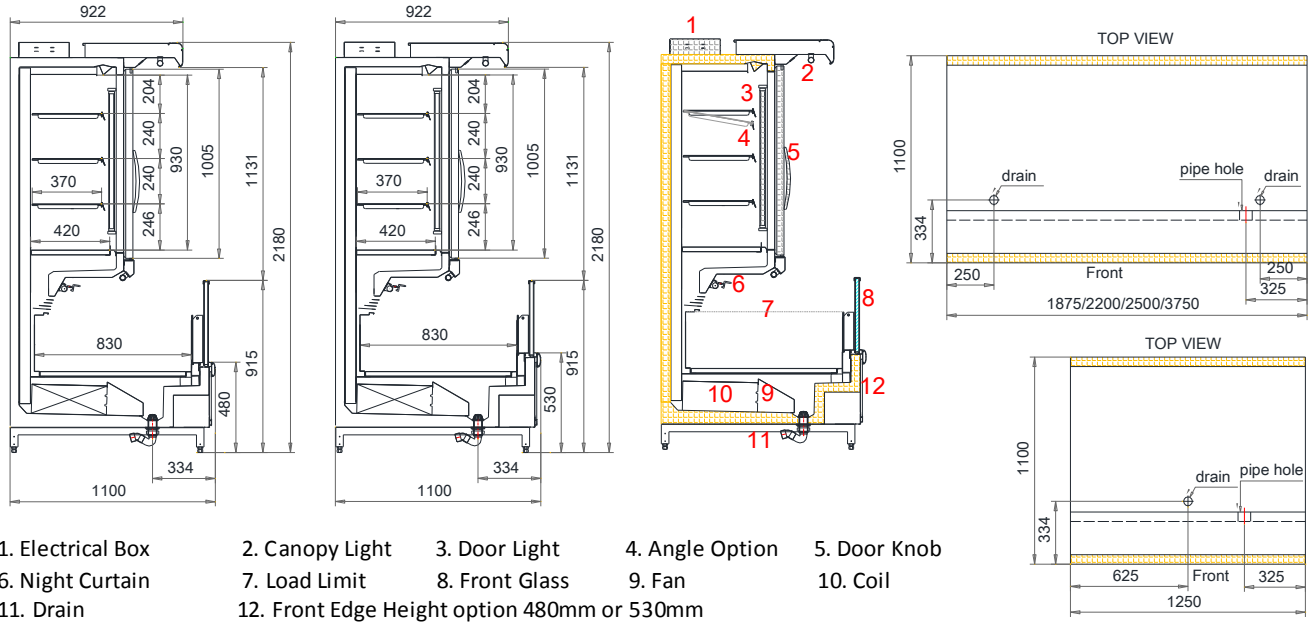
Light & Fan Data	Case Length	Height	Lighting Data @ 220V						Fan Data @ 220V					
			Lamps Qty.		Fluorescent T8 Lighting		LED Lighting		Fans Qty.	Standard Fans		High Efficiency Fans		
			Door	Canopy	Amps	Watts	Amps	Watts		Amps	Watts	Amps	Watts	
			Door	Canopy	Amps	Watts	Amps	Watts	Amps	Watts	Amps	Watts		
2 Door	2030mm	3	1	0.41	90	0.25	54	1	0.14	31	0.03	7		
3 Door	2030mm	4	2	0.55	120	0.34	75	2	0.28	62	0.06	14		
3 Door	2030mm	4	2	0.63	138	0.37	81	2	0.28	62	0.06	14		
4 Door	2030mm	5	2	0.74	162	0.44	96	2	0.28	62	0.06	14		
6 Door	2030mm	7	3	1.06	234	0.63	138	3	0.42	93	0.10	21		

Heater Data	Case Length	Height	Frame Anti-Sweat @220V		Door Anti-Sweat @220V		Defrost @380V	
			Amps	Watts	Amps	Watts	Amps	Watts
	2 Door	2030mm	1.46	322	0.62	137	7.27	1,600
3 Door	2030mm	1.97	433	0.94	206	10.91	2,400	
3 Door	2030mm	2.18	479	0.95	210	15.27	3,360	
4 Door	2030mm	2.59	569	1.25	274	13.64	3,000	
6 Door	2030mm	3.82	841	1.87	411	20.45	4,500	

Refrigeration Data	Case Length	Height	Island Cover	Application at T=25 °C, RH=60%	Refrigerant Gas	Required Cooling Capacity, W	Saturated suction Temp. °C	Input Power, Watts	Rated Current, Amps	Power Consumption, Kwh/24h
	2 Door	2030mm	Sliding Glass	-18°C ~ -22°C	R404a	1,105	-35	2,144	15.48	15.93
	3 Door	2030mm	Sliding Glass	-18°C ~ -22°C	R404a	1,360	-35	3,173	23.5	22.84
	3 Door	2030mm	Sliding Glass	-18°C ~ -22°C	R404a	1,700	-35	4,183	28.07	26.06
	4 Door	2030mm	Sliding Glass	-18°C ~ -22°C	R404a	1,870	-35	3,995	29.32	29.53
	6 Door	2030mm	Sliding Glass	-18°C ~ -22°C	R404a	2,380	-35	5,971	43.73	43.88

E7 ST.PAUL Height 2030mm – Island with sliding glass cover





- 1. Electrical Box 2. Canopy Light 3. Door Light 4. Angle Option 5. Door Knob
- 6. Night Curtain 7. Load Limit 8. Front Glass 9. Fan 10. Coil
- 11. Drain 12. Front Edge Height option 480mm or 530mm

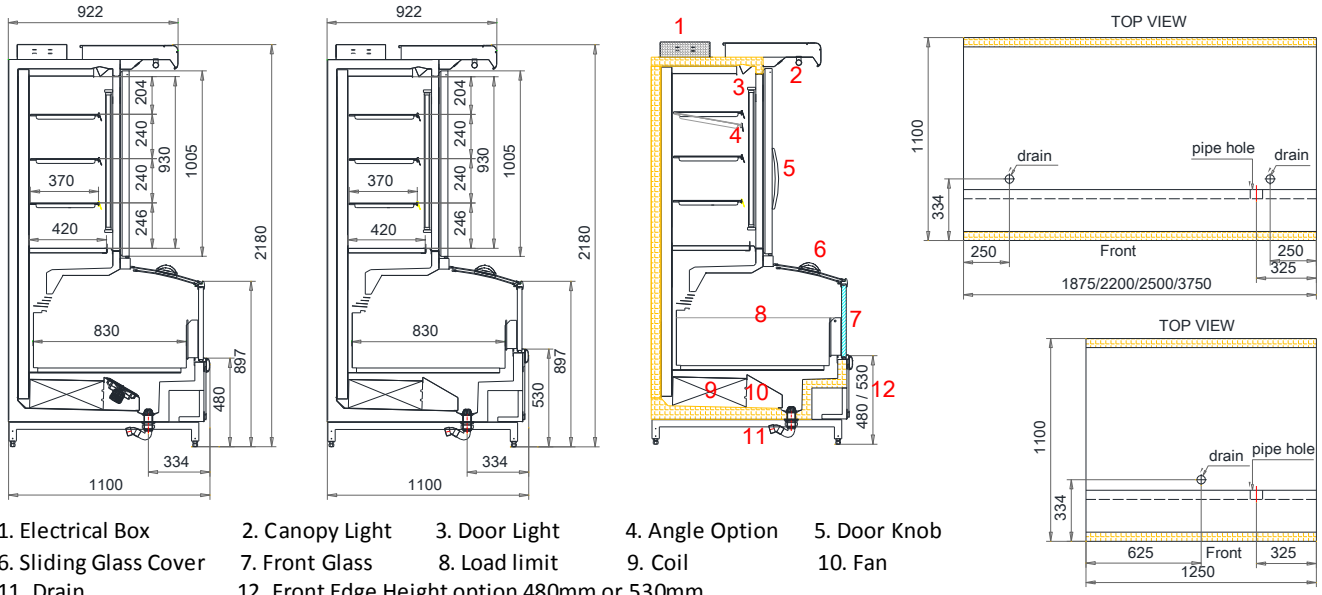
Capacity	Door	Length	Height	Front Edge	Island Cover	Model Number	Display Area, m ²	Capacity, dm ³
	2 Door	1250mm	2180mm	480mm	Night Curtain	BD-E7SP-F12224-01	1.40	763
3 Door	1875mm	2180mm	480mm	Night Curtain	BD-E7SP-F18224-01	2.10	1,144	
3 Door	2200mm	2180mm	480mm	Night Curtain	BD-E7SP-F22224-01	2.38	1,172	
4 Door	2500mm	2180mm	480mm	Night Curtain	BD-E7SP-F25224-01	2.81	1,525	
6 Door	3750mm	2180mm	480mm	Night Curtain	BD-E7SP-F37224-01	4.21	2,288	

Light & Fan Data	Case Length	Height	Lighting Data @ 220V						Fan Data @ 220V				
			Lamps Qty.		Fluorescent T8 Lighting		LED Lighting		Fans Qty.	Standard Fans		High Efficiency Fans	
			Door	Canopy	Amps	Watts	Amps	Watts		Amps	Watts	Amps	Watts
2 Door	2180mm	3	1	0.41	90	0.25	54	1	0.14	31	0.03	7	
3 Door	2180mm	4	2	0.55	120	0.34	75	2	0.28	62	0.06	14	
3 Door	2180mm	4	2	0.63	138	0.37	81	2	0.28	62	0.06	14	
4 Door	2180mm	5	2	0.74	162	0.44	96	2	0.28	62	0.06	14	
6 Door	2180mm	7	3	1.06	234	0.63	138	3	0.42	93	0.1	21	

Heater Data	Case Length	Height	Frame Anti-Sweat @220V		Door Anti-Sweat @220V		Defrost @380V	
			Amps	Watts	Amps	Watts	Amps	Watts
	2 Door	2180mm	1.51	332	0.62	137	7.27	1,600
3 Door	2180mm	2.04	448	0.94	206	11.36	2,500	
3 Door	2180mm	2.28	501	0.95	210	15.27	3,360	
4 Door	2180mm	2.68	589	1.25	274	13.64	3,000	
6 Door	2180mm	3.95	869	1.87	411	20.45	4,500	

Refrigeration Data	Case Length	Height	Island Cover	Application at T=25 °C, RH=60%	Refrigerant Gas	Required Cooling Capacity, W	Saturated suction Temp. °C	Input Power, Watts	Rated Current, Amps	Power Consumption, Kwh/24h
	2 Door	2180mm	Night Curtain	-18°C ~ -22°C	R404a	1,430	-35	2,226	15.53	16.18
	3 Door	2180mm	Night Curtain	-18°C ~ -22°C	R404a	1,760	-35	3,384	24.02	23.36
	3 Door	2180mm	Night Curtain	-18°C ~ -22°C	R404a	2,185	-35	4,337	28.17	26.59
	4 Door	2180mm	Night Curtain	-18°C ~ -22°C	R404a	2,420	-35	4,159	29.41	30.00
6 Door	2180mm	Night Curtain	-18°C ~ -22°C	R404a	3,080	-35	6,215	43.86	44.56	





- 1. Electrical Box 2. Canopy Light 3. Door Light 4. Angle Option 5. Door Knob
- 6. Sliding Glass Cover 7. Front Glass 8. Load limit 9. Coil 10. Fan
- 11. Drain 12. Front Edge Height option 480mm or 530mm

Capacity	Door	Length	Height	Front Edge	Island Cover	Model Number	Display Area, m ²	Capacity, dm ³
	2 Door	1250mm	2180mm	480mm	Sliding Glass	BD-E7SP-F12224T-01	1.40	763
	3 Door	1875mm	2180mm	480mm	Sliding Glass	BD-E7SP-F18224T-01	2.10	1,144
	3 Door	2200mm	2180mm	480mm	Sliding Glass	BD-E7SP-F22224T-01	2.38	1,172
	4 Door	2500mm	2180mm	480mm	Sliding Glass	BD-E7SP-F25224T-01	2.81	1,525
	6 Door	3750mm	2180mm	480mm	Sliding Glass	BD-E7SP-F37224T-01	4.21	2,288

Light & Fan Data	Case Length	Height	Lighting Data @ 220V						Fan Data @ 220V					
			Lamps Qty.		Fluorescent T8 Lighting		LED Lighting		Fans Qty.	Standard Fans		High Efficiency Fans		
			Door	Canopy	Amps	Watts	Amps	Watts		Amps	Watts	Amps	Watts	
2 Door	2180mm	3	1	0.41	90	0.25	54	1	0.14	31	0.03	7		
3 Door	2180mm	4	2	0.55	120	0.34	75	2	0.28	62	0.06	14		
3 Door	2180mm	4	2	0.63	138	0.37	81	2	0.28	62	0.06	14		
4 Door	2180mm	5	2	0.74	162	0.44	96	2	0.28	62	0.06	14		
6 Door	2180mm	7	3	1.06	234	0.63	138	3	0.42	93	0.1	21		

Heater Data	Case Length	Height	Frame Anti-Sweat @220V		Door Anti-Sweat @220V		Defrost @380V	
			Amps	Watts	Amps	Watts	Amps	Watts
	2 Door	2180mm	1.51	332	0.62	137	7.27	1,600
3 Door	2180mm	2.04	448	0.94	206	11.36	2,500	
3 Door	2180mm	2.28	501	0.95	210	15.27	3,360	
4 Door	2180mm	2.68	589	1.25	274	13.64	3,000	
6 Door	2180mm	3.95	869	1.87	411	20.45	4,500	

Refrigeration Data	Case Length	Height	Island Cover	Application at T=25 °C, RH=60%	Refrigerant Gas	Required Cooling Capacity, W	Saturated suction Temp. °C	Input Power, Watts	Rated Current, Amps	Power Consumption, Kwh/24h
	2 Door	2180mm	Sliding Glass	-18°C ~ -22°C	R404a	1,215	-35	2,226	15.53	16.18
	3 Door	2180mm	Sliding Glass	-18°C ~ -22°C	R404a	1,500	-35	3,384	24.02	23.36
	3 Door	2180mm	Sliding Glass	-18°C ~ -22°C	R404a	1,855	-35	4,337	28.17	26.59
	4 Door	2180mm	Sliding Glass	-18°C ~ -22°C	R404a	2,060	-35	4,159	29.41	30.00
	6 Door	2180mm	Sliding Glass	-18°C ~ -22°C	R404a	2,620	-35	6,215	43.86	44.56



E7 ST.PAUL Height 2180mm – Island with sliding glass cover