

Environmentally friendly

Ergonomic

Efficient

Elegant

Elaborative

Expansibility

Easy Maintenance



LittleDuck

E7 SERIES REFRIGERATION SHOWCASE

Large Capacity Glass Door Reach-in Case

E7 Atlanta Chiller/Freezer

Height 2030mm, 2230mm

Shelf Depth 560mm

Door Option: 2Door/1500, 3Door/2250, 4Door/3000, 5Door/3750mm

Optional: LED lighting, Energy-saving Fan



LittleDuck



CE ISO9001 ISO14001

Standard Options:

- Door/Length Option: 2Door/1500mm, 3Door/2250mm, 4Door/3000mm, & 5Door/3750mm, can be jointed together according to user's needs.
- Height Option: 2030mm, 2230mm
- Super Low front Edge: up to 260mm
- End panel option: PU-Glass end panel, PU end panel.
- Standard wire mesh shelf option: 4 rows 560mm and 1 bottom for height 2030mm, 5 rows 560mm and 1 bottom for height 2230mm.
- Available light: Door light at T8 fluorescent.
- Available plastic combo shelf-stop and price-tag
- Defrost: electrical heater
- Controller: CAREL brand, Easy series
- Expansion Valve: DANFOSS, balance mechanical thermal expansion valve.
- Fan motor: EBM, conventional energy efficiency
- Refrigerant: R404a

Energy Saving Option:

- LED door light
- High Efficiency Fans with CAREL multi-function controller

Intelligent Control Option:

- CAREL MPX Controller with thermal expansion valve (TEV).
- CAREL MPX Controller with electronic expansion valve (EEV).

Application:

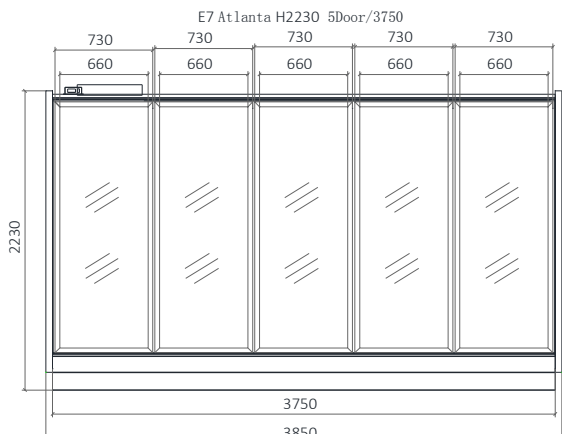
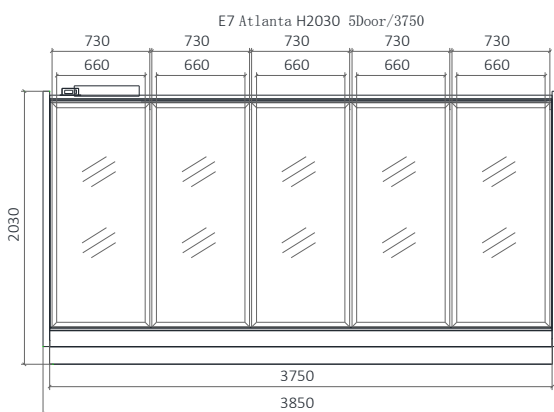
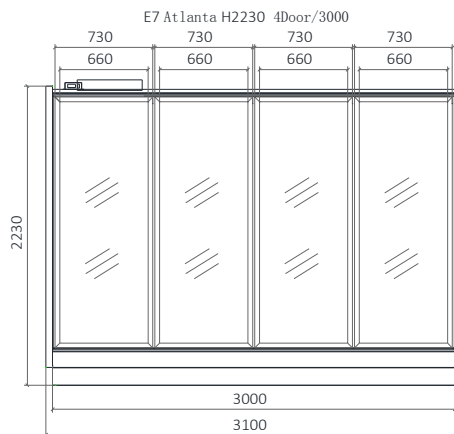
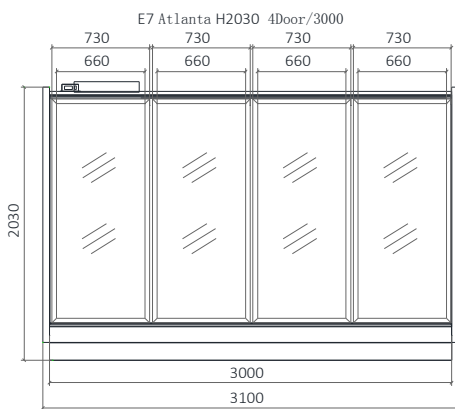
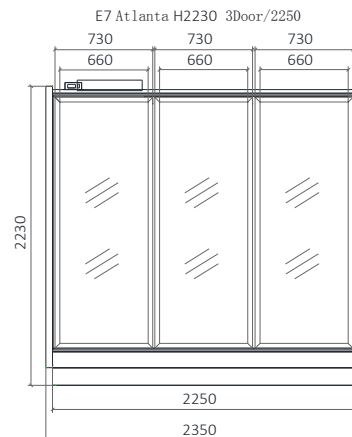
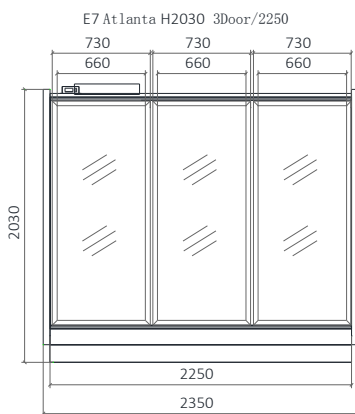
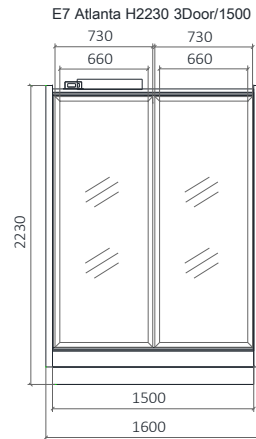
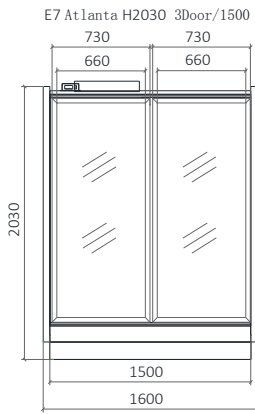
The different running temperature ranges can be used for freezer at -18 to -22°C , for chiller at -1 to 5°C .

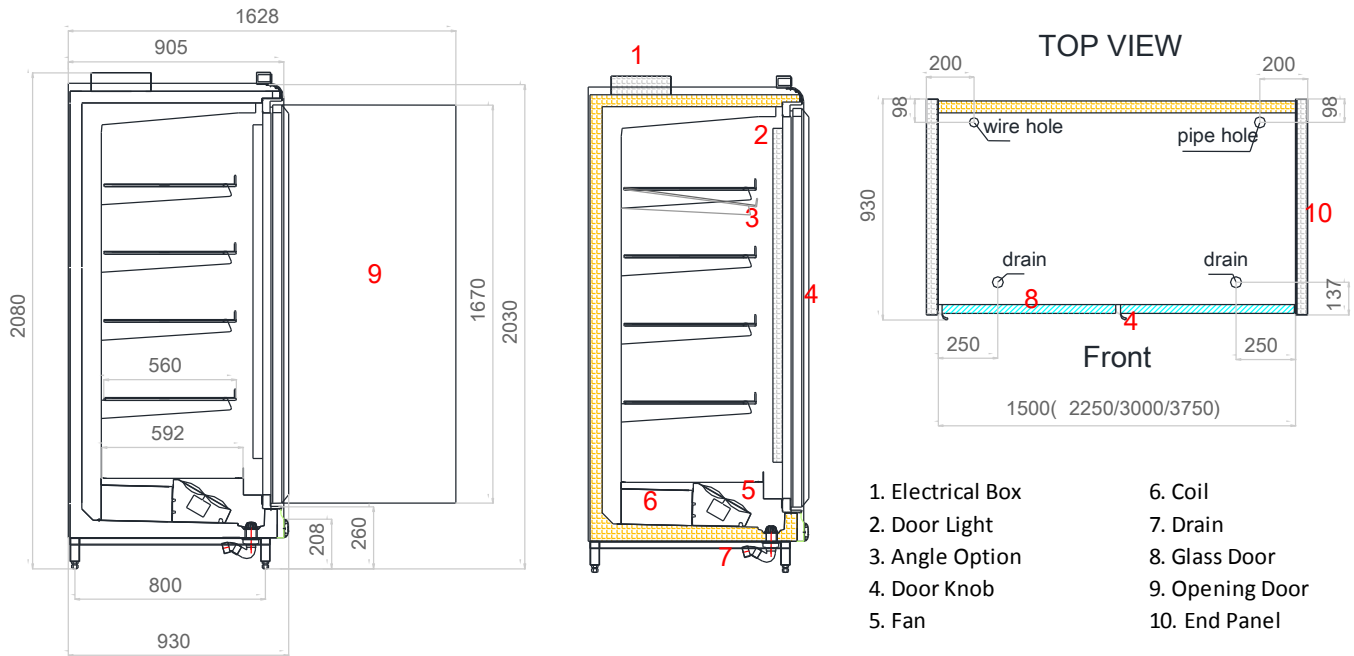
Freezer Application: frozen food, ice cream, sea food etc.

Chiller Application: fresh meat, beverage, milk products, sausages and cooked foods etc.

Features and Benefits:

1. Adopted vertical structure and large capacity design, the shelf depth up to 560mm, make full of the space of supermarket, save covers an area of 60% compared with the island freezer with same capacity.
2. The distribution structure of cooling air has been used for eliminating the refrigeration dead-angle, to insure temperature uniformity.
3. The door frame is made of strong one-piece structure to ensure the even crack between doors and its frame that is beautiful and durable.
4. Adopted antifogging glass door and vertical door light can enhance the display effect.
5. The glass door designed open limiter for save handling; self-closing design is easy to use.
6. The glass door made of multilayer insulation glass, effectively prevent heat conduction, energy-saving up to 50% than open freezer.
7. The multideck wire-shelves can be combined freely, and shelf angle can be adjustable to achieve satisfy the different display effect.
8. The electronic ballast is used for energy saving, and also can avoid the lights flashing.
9. Adopted unique evaporator design to reduce frosting, and can use Hot Gas Defrost for energy saving.
10. The bottom shelves, back plates and fan cover plate adopt easy disassemble design, make the daily inspection and maintenance is more convenient.
11. CO_2 and Glycol can be option for application of energy conservation and environmental protection.
12. Reserved a fuse in control box, easy to replace.





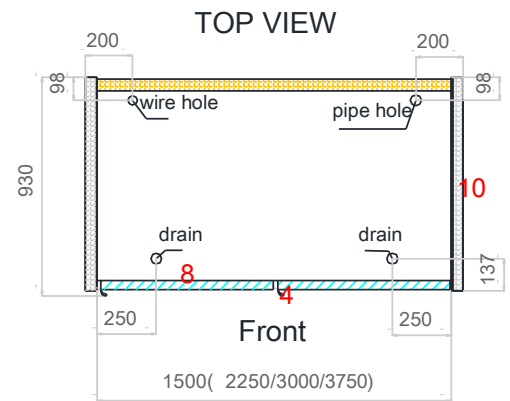
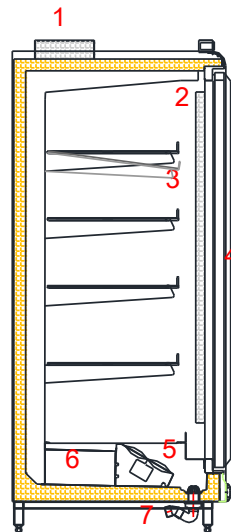
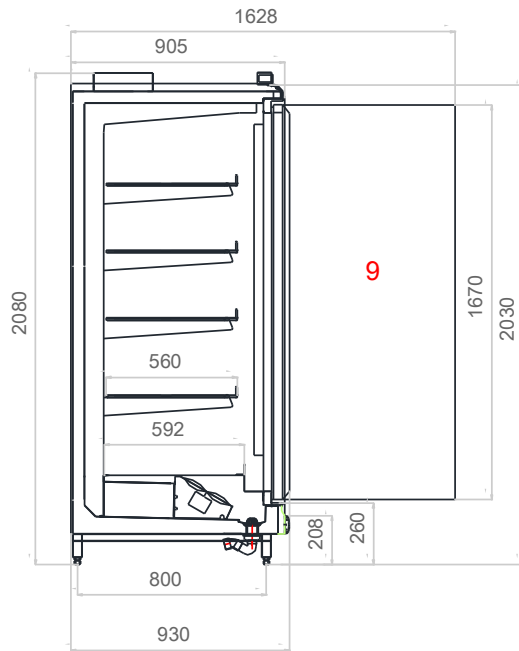
Capacity	Type	Door	Length	Height	Freezer Model	Display Area, m ²	Capacity, dm ³
	Freezer	2Door	15(1500mm)	2030mm	BD-E7YT-F1520-01	1.43	1,035
	Freezer	3Door	22(2250mm)	2030mm	BD-E7YT-F2220-01	2.15	1,553
	Freezer	4Door	30(3000mm)	2030mm	BD-E7YT-F3020-01	2.86	2,070
	Freezer	5Door	37(3750mm)	2030mm	BD-E7YT-F3720-01	3.58	2,588

Light & Fan Data	Type	Case Length	Height, mm	Lighting Data @ 220V				Fan Data @ 220V					
				Lamps Qty.	Fluorescent T8 Lighting		LED Lighting		Fans Qty.	Standard Fans		High Efficiency Fans	
					Amps	Watts	Amps	Watts		Amps	Watts	Amps	Watts
				Freezer	2Door	2030	3	0.79	174	0.31	69	2	0.28
Freezer	3Door	2030	4	1.05	232	0.42	92	3	0.42	93	0.10	21	
Freezer	4Door	2030	5	1.32	290	0.52	115	4	0.56	124	0.13	28	
Freezer	5Door	2030	6	1.58	348	0.63	138	5	0.70	155	0.16	35	

Heater Data	Type	Case Length	Height	Frame Anti-Sweat @220V		Door Anti-Sweat @220V		Defrost @380V	
				Amps	Watts	Amps	Watts	Amps	Watts
				Freezer	2Door	2030mm	0.92	202	1.22
Freezer	3Door	2030mm	1.53	336	1.83	402	13.64	3,000	
Freezer	4Door	2030mm	2.06	453	2.44	536	17.05	3,750	
Freezer	5Door	2030mm	2.63	578	3.05	670	20.45	4,500	

Refrigeration Data	Type	Case Length	Height	Application at T=25 °C, RH=60%	Refrigerant Gas	Required Cooling Capacity, W	Saturated suction Temp. °C	Input Power, Watts	Rated Current, Amps	Power Consumption, Kwh/24h
	Freezer	2Door	2030mm	-18°C ~ -22°C	R404a	1,200	-35	2,806	15.21	17.48
	Freezer	3Door	2030mm	-18°C ~ -22°C	R404a	1,600	-35	4,063	22.25	26.48
	Freezer	4Door	2030mm	-18°C ~ -22°C	R404a	2,000	-35	5,153	28.53	34.88
	Freezer	5Door	2030mm	-18°C ~ -22°C	R404a	2,400	-35	6,251	34.85	43.47





- 1. Electrical Box
- 2. Door Light
- 3. Angle Option
- 4. Door Knob
- 5. Fan
- 6. Coil
- 7. Drain
- 8. Glass Door
- 9. Opening Door
- 10. End Panel

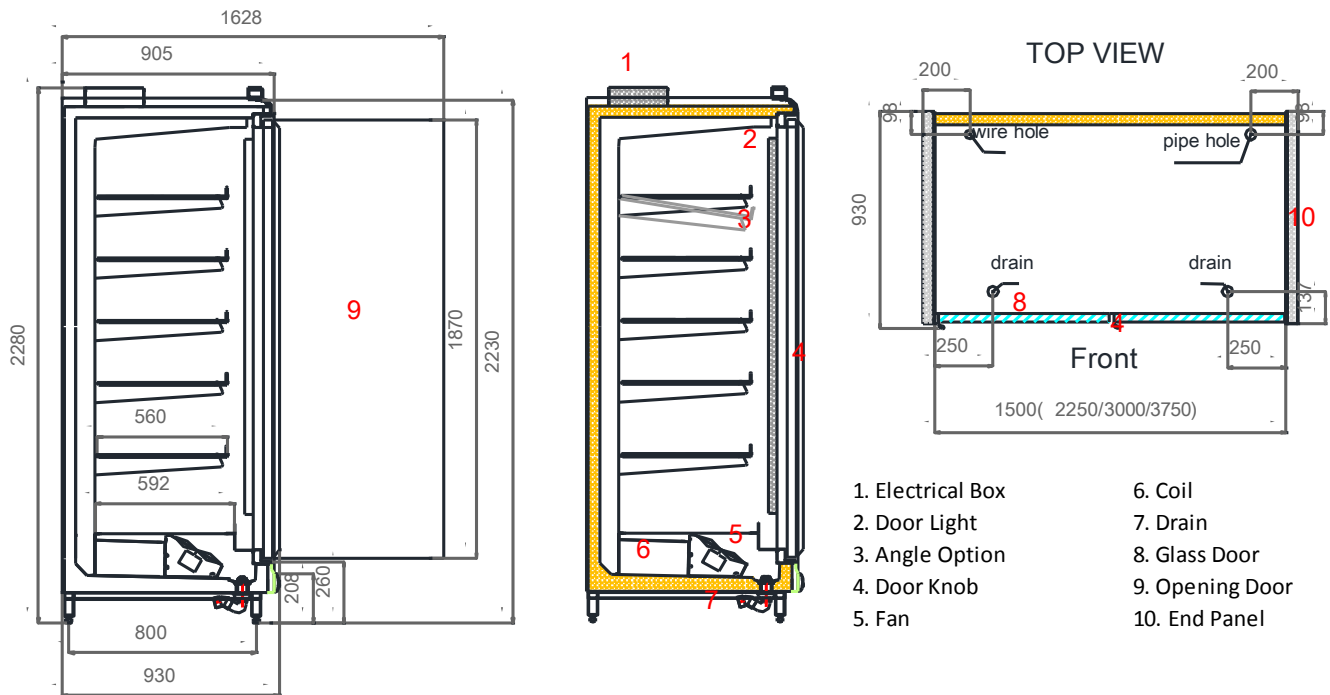
Capacity	Type	Door	Length	Height	Chiller Model	Display Area, m ²	Capacity, dm ³
	Chiller	2Door	15(1500mm)	2030mm	BZ-E7YT-F1520-01	1.43	1,035
	Chiller	3Door	22(2250mm)	2030mm	BZ-E7YT-F2220-01	2.15	1,553
	Chiller	4Door	30(3000mm)	2030mm	BZ-E7YT-F3020-01	2.86	2,070
	Chiller	5Door	37(3750mm)	2030mm	BZ-E7YT-F3720-01	3.58	2,588

Light & Fan Data	Type	Case Length	Height, mm	Lighting Data @ 220V				Fan Data @ 220V					
				Lamps Qty.	Fluorescent T8 Lighting		LED Lighting		Fans Qty.	Standard Fans		High Efficiency Fans	
					Amps	Watts	Amps	Watts		Amps	Watts	Amps	Watts
				Chiller	2Door	2030	3	0.79	174	0.31	69	2	0.28
Chiller	3Door	2030	4	1.05	232	0.42	92	3	0.42	93	0.10	21	
Chiller	4Door	2030	5	1.32	290	0.52	115	4	0.56	124	0.13	28	
Chiller	5Door	2030	6	1.58	348	0.63	138	5	0.70	155	0.16	35	

Heater Data	Type	Case Length	Height, mm	Frame Anti-Sweat @220V		Door Anti-Sweat @220V		Defrost @220V	
				Amps	Watts	Amps	Watts	Amps	Watts
				Chiller	2Door	2030mm	0.55	121	0.61
Chiller	3Door	2030mm	0.75	165	0.91	201	4.55	1000	
Chiller	4Door	2030mm	0.95	210	1.22	268	5.68	1250	
Chiller	5Door	2030mm	1.21	267	1.52	335	6.82	1500	

Refrigeration Data	Type	Case Length	Height	Application at T=25 °C, RH=60%	Refrigerant Gas	Required Cooling Capacity, W	Saturated suction Temp. °C	Input Power, Watts	Rated Current, Amps	Power Consumption, Kwh/24h
	Chiller	2Door	2030mm	-1°C ~5°C	R404a	600	-10	1,191	7.56	10.57
	Chiller	3Door	2030mm	-1°C ~5°C	R404a	800	-10	1,691	11.01	15.05
	Chiller	4Door	2030mm	-1°C ~5°C	R404a	1,000	-10	2,142	14.23	19.49
	Chiller	5Door	2030mm	-1°C ~5°C	R404a	1,200	-10	2,605	17.5	24.22





- 1. Electrical Box
- 2. Door Light
- 3. Angle Option
- 4. Door Knob
- 5. Fan
- 6. Coil
- 7. Drain
- 8. Glass Door
- 9. Opening Door
- 10. End Panel

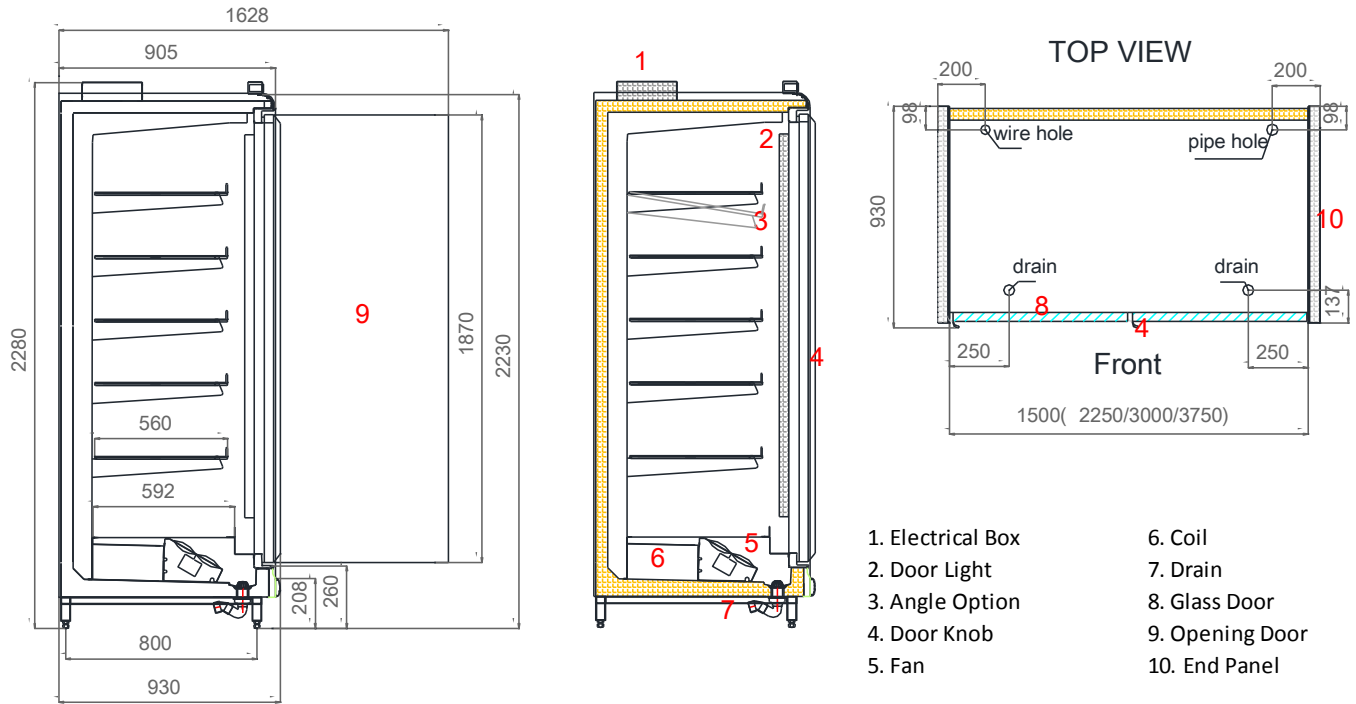
Capacity	Type	Door	Length	Height	Freezer Model	Display Area, m ²	Capacity, dm ³
	Freezer	2Door	15(1500mm)	2230mm	BD-E7YT-F1522-01	1.61	1,200
	Freezer	3Door	22(2250mm)	2230mm	BD-E7YT-F2222-01	2.42	1,800
	Freezer	4Door	30(3000mm)	2230mm	BD-E7YT-F3022-01	3.21	2,400
	Freezer	5Door	37(3750mm)	2230mm	BD-E7YT-F3722-01	4.04	3,000

Light & Fan Data	Type	Case Length	Height, mm	Lighting Data @ 220V					Fan Data @ 220V					
				Lamps Qty.	Fluorescent T8 Lighting		LED Lighting		Fans Qty.	Standard Fans		High Efficiency Fans		
					Amps	Watts	Amps	Watts		Amps	Watts	Amps	Watts	
					Freezer	2Door	2230	3		0.79	174	0.31	69	2
Freezer	3Door	2230	4	1.05	232	0.42	92	3	0.42	93	0.10	21		
Freezer	4Door	2230	5	1.32	290	0.52	115	4	0.56	124	0.13	28		
Freezer	5Door	2230	6	1.58	348	0.63	138	5	0.70	155	0.16	35		

Heater Data	Type	Case Length	Height	Frame Anti-Sweat @220V		Door Anti-Sweat @220V		Defrost @380V	
				Amps	Watts	Amps	Watts	Amps	Watts
				Freezer	2Door	2230mm	1.19	262	1.31
Freezer	3Door	2230mm	1.66	365	1.96	432	13.64	3,000	
Freezer	4Door	2230mm	2.09	460	2.62	576	17.05	3,750	
Freezer	5Door	2230mm	2.52	555	3.27	720	20.45	4,500	

Refrigeration Data	Type	Case Length	Height	Application at T=25 °C, RH=60%	Refrigerant Gas	Required Cooling Capacity, W	Saturated suction Temp. °C	Input Power, Watts	Rated Current, Amps	Power Consumption, Kwh/24h
	Freezer	2Door	2230mm	-18°C ~ -22°C	R404a	1,300	-35	2,886	15.49	19.40
	Freezer	3Door	2230mm	-18°C ~ -22°C	R404a	1,750	-35	4,122	20.05	27.89
	Freezer	4Door	2230mm	-18°C ~ -22°C	R404a	2,200	-35	5,200	23.89	36.01
	Freezer	5Door	2230mm	-18°C ~ -22°C	R404a	2,550	-35	6,278	27.73	44.12





- 1. Electrical Box
- 2. Door Light
- 3. Angle Option
- 4. Door Knob
- 5. Fan
- 6. Coil
- 7. Drain
- 8. Glass Door
- 9. Opening Door
- 10. End Panel

Capacity	Type	Door	Length	Height	Chiller Model	Display Area, m ²	Capacity, d m ³
Capacity	Chiller	2Door	15(1500mm)	2230mm	BZ-E7YT-F1522-01	1.61	1,200
	Chiller	3Door	22(2250mm)	2230mm	BZ-E7YT-F2222-01	2.42	1,800
	Chiller	4Door	30(3000mm)	2230mm	BZ-E7YT-F3022-01	3.21	2,400
	Chiller	5Door	37(3750mm)	2230mm	BZ-E7YT-F3722-01	4.04	3,000

Light & Fan Data	Type	Case Length	Height, mm	Lighting Data @ 220V				Fan Data @ 220V					
				Lamps Qty.	Fluorescent T8 Lighting		LED Lighting		Fans Qty.	Standard Fans		High Efficiency Fans	
					Amps	Watts	Amps	Watts		Amps	Watts	Amps	Watts
Chiller	2Door	2230	3	0.79	174	0.31	69	2	0.28	62	0.06	14	
Chiller	3Door	2230	4	1.05	232	0.42	92	3	0.42	93	0.10	21	
Chiller	4Door	2230	5	1.32	290	0.52	115	4	0.56	124	0.13	28	
Chiller	5Door	2230	6	1.58	348	0.63	138	5	0.70	155	0.16	35	

Heater Data	Type	Case Length	Height, mm	Frame Anti-Sweat @220V		Door Anti-Sweat @220V		Defrost @220V	
				Amps	Watts	Amps	Watts	Amps	Watts
				Chiller	2Door	2230mm	0.59	130	0.65
Chiller	3Door	2230mm	0.8	177	0.98	216	4.55	1,000	
Chiller	4Door	2230mm	1.02	225	1.31	288	5.68	1,250	
Chiller	5Door	2230mm	1.3	285	1.64	360	6.82	1,500	

Refrigeration Data	Type	Case Length	Height	Application at T=25 °C, RH=60%	Refrigerant Gas	Required Cooling Capacity, W	Saturated suction Temp. °C	Input Power, Watts	Rated Current, Amps	Power Consumption, Kwh/24h
	Chiller	2Door	2230mm	-1°C ~5°C	R404a	600	-10	1,210	7.58	11.03
	Chiller	3Door	2230mm	-1°C ~5°C	R404a	800	-10	1,718	9.16	15.70
	Chiller	4Door	2230mm	-1°C ~5°C	R404a	1,000	-10	2,177	10.51	20.33
	Chiller	5Door	2230mm	-1°C ~5°C	R404a	1,200	-10	2,648	11.92	25.25



E7 Atlanta Chiller Height 2230mm