

Environmentally friendly
Ergonomic
Efficient
Elegant
Expansibility
Easy Maintenance

E6

LittleDuck

E6 SERIES REFRIGERATION SHOWCASE

Arc Glass Type Counter Service Refrigeration Case

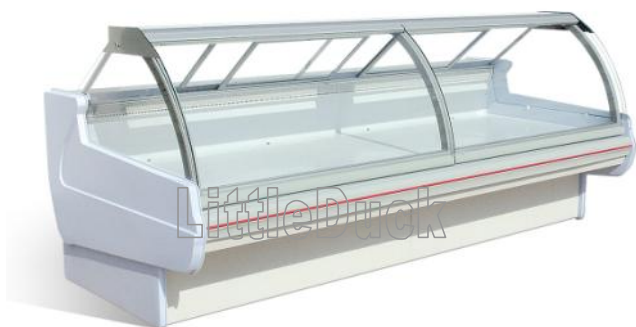
E6 Alaska Refrigerator

Length 1250mm, 1875mm, 2500mm, 3750mm
90 degree Inner Corner/Outer Corner
Optional: LED lighting



LittleDuck

Liftable Glass Cover Model



Flat Open Model



CE ISO9001 ISO14001

Standard Options:

- Length Option: 1250mm, 1875mm, 2500mm & 3750mm, can be jointed together according to user's needs.
- Case width 1180mm
- Cover Option: liftable glass cover or flat open (no cover)
- Available plastic price-tag
- Available light on canopy of liftable glass cover model
- Viewable inner plate: steel plate painted as standard, 304 stainless steel plate as optional item.
- Optional socket and supporter of electronic scale
- Defrost: electrical heater
- Controller: CAREL brand, Easy series
- Expansion Valve: DANFOSS, balance mechanical thermal expansion valve.
- Fan motor: EBM, conventional energy efficiency
- Refrigerant: R404a
- Color: RAL standard

Energy Saving Option:

- Canopy LED light for liftable glass cover model

Intelligent Control Option:

- CAREL MPX Controller with thermal expansion valve (TEV).
- CAREL MPX Controller with electronic expansion valve (EEV).

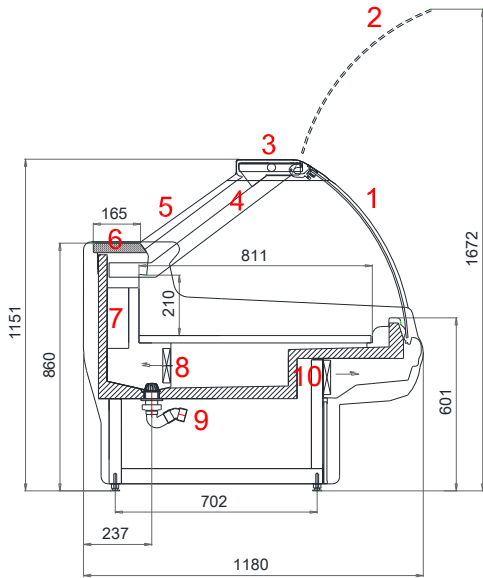
Application:

It is used to sell and display kind of meat, cooked foods, milk products, and cold drink and so on, the running temperature is 0~5°C.

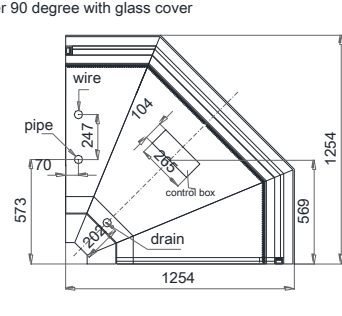
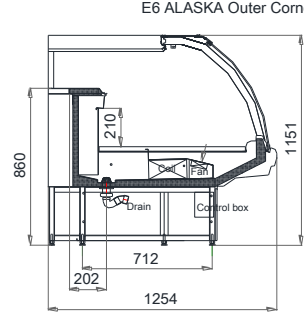
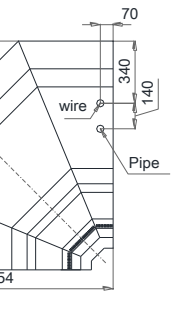
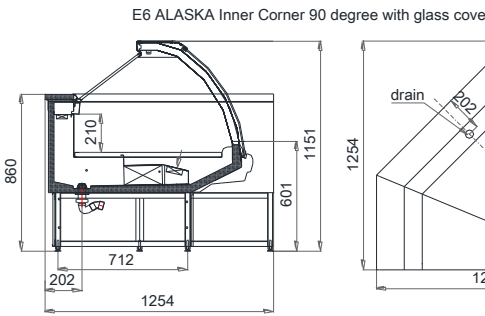
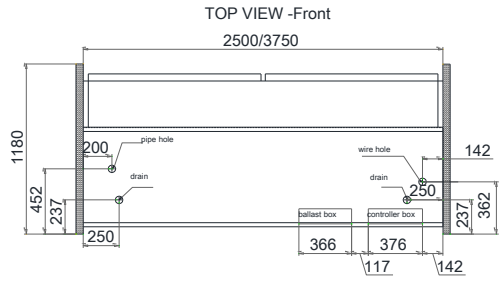
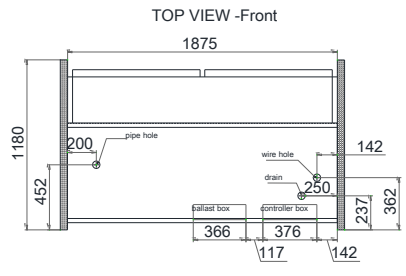
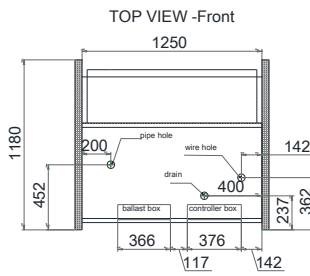
Features and Benefits:

1. The arc glass cover can be opened and lifted which is easy to clean, and the flat open type is convenient for customers to pick goods by themselves.
2. Adopted the great circle toughened glass which impact resistance is strong, and it is equipped with the anti-sweat fan, good display effect can be achieved.
3. The distribution of three-layer air curtain is designed to achieve optimized air curtain structure, the refrigerated effect is more perfect, and solve the frosting blockage.
4. The unique stepped sliding door on upper-back is easy to operate.
5. The socket of electronic scale is optional.
6. The running condition of goods can be monitored by computer in real time when using optional intelligent control.
7. 90 degree inner corner case and 90 degree outer corner case is available, it is easy to design and layout the supermarket.
8. Adopted easy disassemble design for the bottom shelves, back plates, cover plate of fan which would be easy to inspection and maintenance.
9. Designed filter for drainage inlet to prevent blockages of drain system.
10. Viewable parts in the case which include bottom plate, back inner plate, air outlet, air inlet part can choose stainless steel.





1. Front Glass Cover
2. Opening Front Glass Cover
3. Canopy with Light
4. Support Frame
5. Back Sliding Glass
6. Service Table
7. Coil
8. Evaporating Fan
9. Drain
10. Anti-Sweat Fan



CAPACITY	Case Length	Cover Option	Model Number	Dimension, mm	Display Area, m ²	Capacity, dm ³
	12 (1250mm)	Liftable Glass Cover	FZ-E6AL-F12K-02	1250x1180x1151	0.90	165
	18 (1875mm)	Liftable Glass Cover	FZ-E6AL-F18K-02	1875x1180x1151	1.30	248
	25 (2500mm)	Liftable Glass Cover	FZ-E6AL-F25K-02	2500x1180x1151	1.90	330
	37 (3750mm)	Liftable Glass Cover	FZ-E6AL-F37K-02	3750x1180x1151	2.60	495
	Outer Corner	Liftable Glass Cover	FZ-E6WA-F90K-02	1254x1254x1151	0.98	180
	Inner Corner	Liftable Glass Cover	FZ-E6NA-F90G-02	1254x1254x1151	0.98	180

ELECTRICAL DATA	Case Length	Cover Option	Canopy Lighting Data @ 220V				Fan Data @ 220V			Electrical Heater				
			Lamps Qty.	Fluorescent T8 Lighting		LED Lighting		Fans Qty.	Standard Fans		Frame Anti-Sweat @220V		Defrosting @380V	
				Amps	Watts	Amps	Watts		Amps	Watts	Amps	Watts	Amps	Watts
			12 (1250mm)	Liftable Glass Cover	1	0.14	30	0.07	15	2	0.15	32	0.17	38
18 (1875mm)	Liftable Glass Cover	2	0.16	36	0.11	24	4	0.29	64	0.25	55	3.41	750	
25 (2500mm)	Liftable Glass Cover	2	0.27	60	0.14	30	4	0.29	64	0.34	74	4.55	1,000	
37 (3750mm)	Liftable Glass Cover	3	0.49	108	0.25	54	6	0.44	96	0.51	111	6.82	1,500	
Outer Corner	Liftable Glass Cover	1	0.08	18	0.05	12	2	0.15	32	0.07	15	2.27	500	
Inner Corner	Liftable Glass Cover	1	0.08	18	0.05	12	2	0.15	32	0.25	55	2.27	500	

REFRIGERATION DATA	Case Length	Cover Option	Application at T=25 °C, RH=60%	Refrigerant Gas	Required Cooling Capacity, W	Saturated suction Temp. °C	Input Power, Watts	Rated Current, Amps	Power Consumption, Kwh/24h
	12 (1250mm)	Liftable Glass Cover	-1~+5 °C	R404a	550	-12	600	3.02	2.67
	18 (1875mm)	Liftable Glass Cover	-1~+5 °C	R404a	620	-12	905	4.68	4.23
	25 (2500mm)	Liftable Glass Cover	-1~+5 °C	R404a	820	-12	1,198	6.03	5.28
	37 (3750mm)	Liftable Glass Cover	-1~+5 °C	R404a	1,230	-12	1,815	9.05	8.15
	Outer Corner	Liftable Glass Cover	-1~+5 °C	R405a	600	-12	565	2.87	1.96
Inner Corner	Liftable Glass Cover	-1~+5 °C	R406a	600	-12	605	3.05	3.14	



Shandong LittleDuck Group
 No.51, Gongye Nan Road, Jinan 250101, China
 Http://www.littleduckgroup.com.cn
 Tel: 0086-531-8312 2094, 8312 2068, 8312 2326

