

AUTOMATIC WASHER EXTRACTOR



SXT300FZQ (30kg)
SXT500FZQ (50kg)
SXT1000FZQ (100kg)

- ☞ Soft Mount
- ☞ Heavy Duty
- ☞ Energy Saving
- ☞ Automatic Controlled
- ☞ 30 Programs

RELIABILITY DURABILITY COST EFFECTIVE

DISTINCTIVE MACHINE STRUCTURES

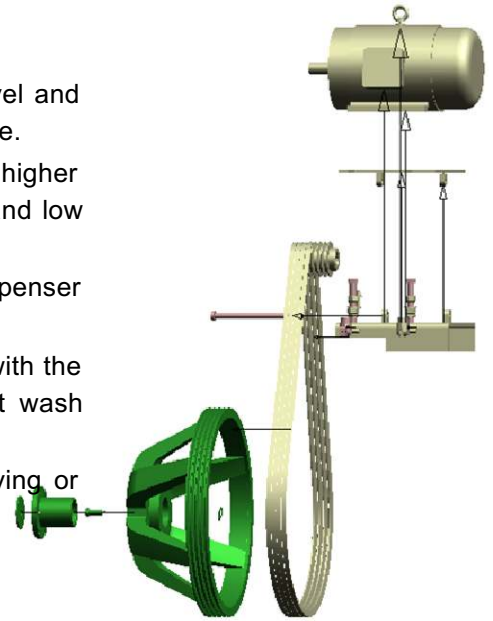
- Heavy duty suspension and frame system enhance tremendously the stability of the machine.
- More strong inner drum provides the guarantee for stable and reliable washing, which is able to meet all kinds of flatworks.
- UP to 30 wash programs incorporated with large LCD display, providing more flexibility for customer requirements.
- Self-diagnosis function enables quick and correct verification for errors.
- Big size loading door design makes simple and labor-saving loading and unloading possible.
- Reliable high-speed running is achieved through the adoption of heavy-duty bearing and water-seal which provides excellent extract result.
- Automatic soap flush system is utilized to avoid any soap residuals and achieve thorough flush.
- Soap self-supplying and dispensing device makes “one-key wash” possible, providing the advantages of worry-free, water saving, time saving and energy saving (optional upon customer’s demanding).



XYLECATALOGUE2014-0516

PERFECT WASH FUNCTION AND ENERGY-SAVING DESIGN

- Adjustable settings for wash time, wash and rinse frequency, water level and temperature to meet different demands. Free training and simple to operate.
- Fish-eye design utilized for inner drum features smooth surface and higher stiffness providing perfect performance of high cleanliness to the cloth and low wear rate.
- Effective protection to the cloth is achieved through automatic soap dispenser by diluting the detergents prior to coming into the machine (optional item).
- VFD (Variable Frequency Drive) technology is adopted accompanying with the dedicated motor to provide perfect drive solution catering to different wash requirements.
- High extract G factor up to 300 enables excellent extract, shorten drying or ironing time and extend the flatwork's serving life.



SUPER CORROSION RESISTING PERFORMANCE

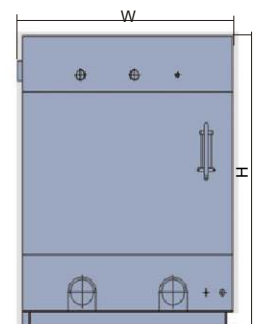
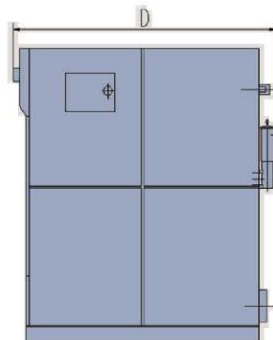
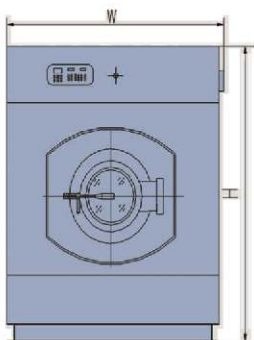
High quality stainless steel SUS304 is used for inner drum and stainless steel SUS316 for soap dispenser. All components contacting water are made of corrosion resisting material, which extend tremendously the machine's serving life.

HUMANITY DESIGN

- Big-size door design to provide high efficiency.
- Easy unloading is achievable through pressing inching-button.
- Emergency button is easy accessible for any dangerous situations.
- Control panel is designed friendly to operators.
- Built-in lubrication system makes maintenance easy.
- Dual-inlets and dual-outlets design increase the washing efficiency (optional item).
- Switch between cold and hot water (optional item).
- Manual control is available for emergency washing saving customer's precious time (optional item).

EASY INSTALLATION

- ☞ This kind of machine requires no special foundation prior to installation.
- ☞ The outer drum is suspended on four springs for a smooth, quiet operation. Vibration is virtually eliminated during extraction.



STANDARD FEATURES

- Programmable computer control with up to 30 wash cycles
- Heavy duty frame and suspension system
- Soft mount - lower installation cost
- Reversing inverter drive
- High extraction speed up to 300+G - reduces drying time
- Heating resource: steam or electricity heating
- Industrial bearings and water seals
- Large door design for easy-to-operate of loading and unloading
- Frequency controlled motor for improving energy efficiency
- S/S 304 for all visible sides except for back panel
- Flushable soap dispensers
- Air-operated valves
- Protection for over-vibration
- Built-in lubrication design
- Easy-to-access emergency stop button



OPTIONS

- ☞ Dual inlets hot water/cold water
- ☞ Dual drainage outlets for recycle & sewage water
- ☞ Manual control
- ☞ Automatic soap dispenser
- ☞ Front tilting for SXT1000

WARRANTY

LittleDuck provides 12 months warranty for the automatic washer extractors, starting from custom declaration date on China Port.

Specification for Automatic Washer Extractor

CAPACITY				
Max. Dry Weight Capacity	kg/lbs	30 / 70	50 / 110	100 / 220
Drum Diameter	mm	890	1020	1200
Drum Depth	mm	560	610	865
Drum Volume	Liter	348	500	980
DIMENSIONS				
Width	mm	1310	1630	1790
Depth	mm	1465	1620	1890
Height	mm	1635	1900	1900
WASHING/EXTRACTION				
Washing Speed	RPM	40	37	38
Distribution Speed	RPM	65	62	65
Low Extract Speed	RPM	400	400	400
High Extract Speed	RPM	800	750	700
Unloading Speed	RPM	15	15	15
G-factor of High Extract	G	318	320	328
Work cycle of Standard Mode	Min	50	50	50
Heated-steam		standard	standard	standard
Heated-electrical (optional)	Kw	18	27	63
CONNECTIONS				
Cold/Hot Water Inlet	mm, in	DN25, 1"	DN40, 1 1/2"	DN50, 2"
Steam Inlet	mm, in	DN25, 1"	DN25, 1"	DN25, 1"
Drain Outside Diameter for sewage	mm	φ76	φ110	φ110
Drain Outside Diameter for reuse (optional)	mm	φ76	φ110	φ110
Compressed Air	mm	φ8	φ8	φ8
PRESSURE				
Steam	MPa	0.4~0.6	0.4~0.6	0.4~0.6
Cold/Hot Water	MPa	0.2~0.3	0.2~0.3	0.2~0.3
Compressed Air	MPa	0.4~0.6	0.4~0.6	0.4~0.6
Power Supply				
Power Requirement	V/Ph/Hz	380~415 V/3Ph/50Hz		
Power Line Section (copper wire)	mm ²	4	4	6
Motor Power	Kw	3.2	5.5	7.5
Inverter Power	Kw	3.7	7.5	11
Electrical Heating Power (optional)	Kw	18	27	63
CONSUMPTION				
Water consumption	L/cycle	580	900	1800
Steam consumption	Kg/cycle	24	30	60
Electricity consumption (steam heating model)	Kw/cycle	0.65	1.1	1.7
Noises	dB	<75	<75	<75
Net Weight				
	Kg	1080	1800	3000

All specifications subject to change without notice.

Shandong LittleDuck Group Co., Ltd.
 Add: Gongye Nan Road, Jinan, Shandong, 250101 China
 Tel: 0086-531-8312 2094, 8312 2068
 Fax: 0086-531-88681524
 Website: www.littleduckgroup.com.cn

HEAVY DUTY WASHER EXTRACTOR



SXT1000EZQ (100kg)

SXT1500FZQ (150kg)

- ☞ Soft Mount
- ☞ Heavy Duty
- ☞ Front Tilting
- ☞ Energy Saving
- ☞ Automatic Controlled
- ☞ 30 Programs

RELIABILITY DURABILITY COST EFFECTIVE

MICROCOMPUTER CONTROLLED

LittleDuck heavy duty washer extractor features a user friendly touch screen LCD microcomputer control. This computer controls all functions of the machine and can be programmed to provide complete flexibility for all your laundry requirements. Simple, stepped programming allows the operator exact, functional control for up to 30 programs. The drum speed for wash, distribution and extraction can be controlled to handle whatever type of laundry you may want to process. Common formulas are preset for immediate use and can be modified as required. Software update can be installed via laptop PC so your operating system is easily kept up-to-date. Troubleshooting is a breeze with built-in fault monitoring. For real operator flexibility and control, the model comes standard with emergency manual override controls no more down time in the event of a computer failure.



XYLECATALOGUE2014-0516



UNLOADING SYSTEM

The heavy duty washer extractor has an automatic unloading device, when washing finished, the two cylinders installed in back will be raised up to 15 degrees, the entire washer extractor will be tilt to the front of the machine, and running with a low speed 10rpm to make the washed textile out of machine reducing tremendously the operator's labor.

FREQUENCY INVERTER DRIVE

Standard on the heavy duty washer extractor is a frequency inverter drive. This enables wash and extract speeds to be programmed through the computer, giving complete control of the wash and extract cycles as well as resulting in energy savings. A single motor drive eliminates clutches and gear reducers and also provides for a quieter, smoother operation. Fewer parts also means less maintenance.



SUPER CORROSION RESISTING PERFORMANCE

- High quality S/S304 is used for inner drum and S/S316 for soap dispenser.
- All components contacting water are made of corrosion resisting material, which extend tremendously the machine's serving life.
- Fish-eye design utilized for inner drum features smooth surface and higher stiffness providing perfect performance of high cleanliness to the cloth and low wear rate.

HEAVY DUTY FRAME & SUSPENSION SYSTEM

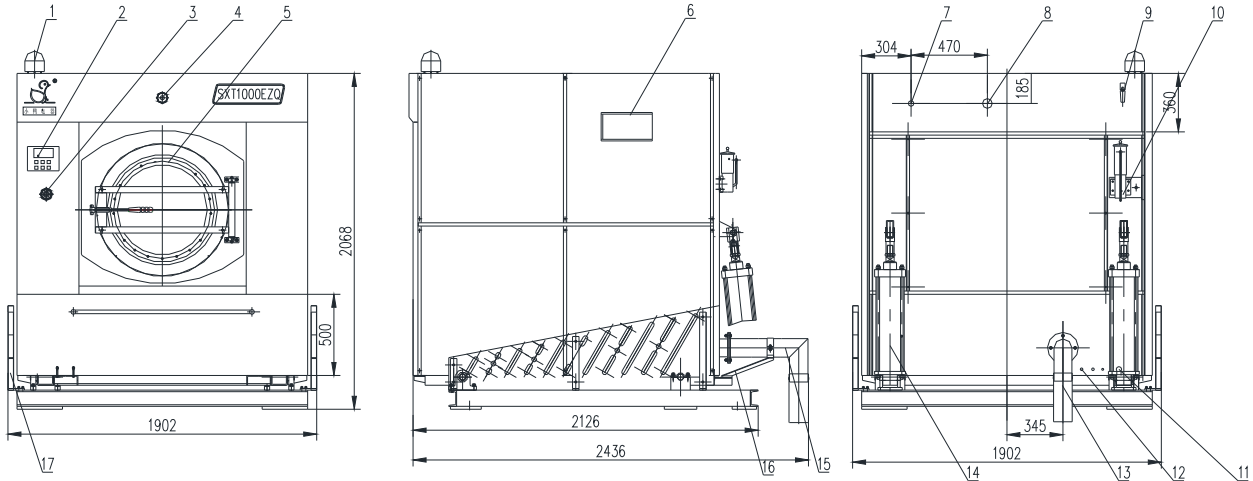
Simple by design, but built to industrial standards. LittleDuck soft mount washer extractor sets a new benchmark for the laundry industry. Under the panels of any soft mount washer you will see what defines the machine its frame and suspension system. If this is not designed correctly then nothing else matters. One look will also show you why our washer extractor net weigh more than most all other comparable washers in some cases 100% more. All LittleDuck soft mount washers are heavy-duty commercial machines built to stand the test of time. Four heavy coiled springs are located on each corner of the frame, coupled with four industrial strength shock absorbers, evenly distributing the dynamic forces to give a smooth wash and extraction. This solid, rugged frame provides the platform for a tough and reliable machine.



EASY INSTALLATION

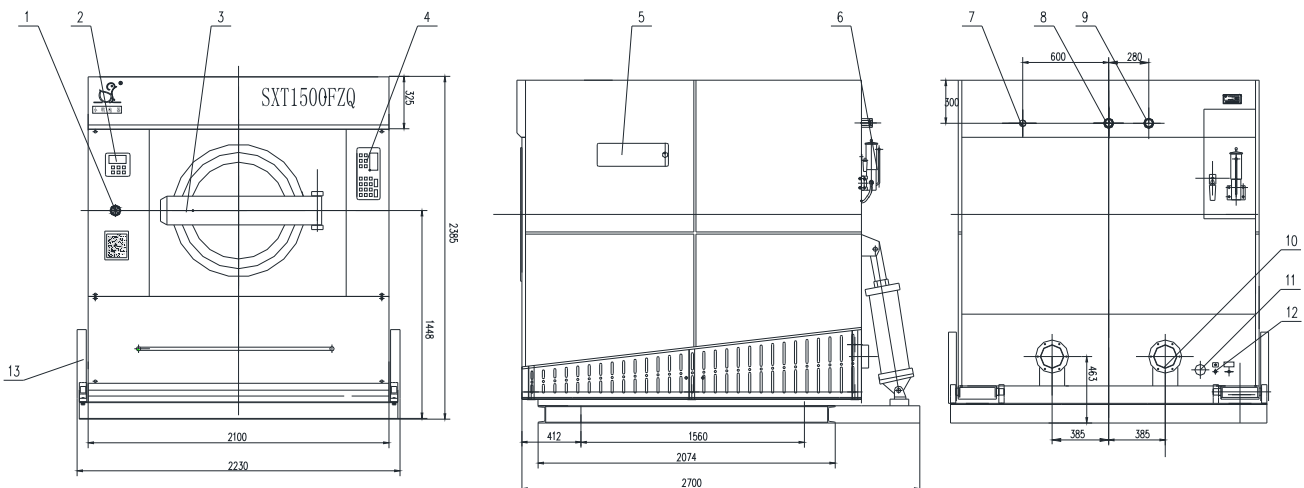
This machine requires no special foundation prior to installation. The outer drum is suspended on four springs for a smooth, quiet operation. Vibration is virtually eliminated during extraction.

Heavy Duty Washer Extractor SXT1000EZQ, Capacity 100kg



- | | | | |
|-----------------------|-----------------------------|-------------------|--------------------------|
| 1. alarm lamp | 2. microcomputer controller | 3. emergency stop | 4. door interlock switch |
| 5. door | 6. soap dispenser | 7. steam inlet 1" | 8. cold water inlet 2" |
| 9. air operated valve | 10. lubricant pump | 11. power input | 12. earth terminal |
| 13. drain | 14. cylinder | 15. bent pipe | 16. support |
| 17. guard | | | |

Heavy Duty Washer Extractor SXT1500FZQ, Capacity 150kg



- | | | | |
|-----------------------|-----------------------------|-----------------------|------------------------|
| 1. emergency stop | 2. microcomputer controller | 3. door | 4. manual controller |
| 5. soap dispenser | 6. lubricant pump | 7. steam inlet 1 1/2" | 8. cold water inlet 2" |
| 9. hot water inlet 2" | 10. drain (Di.160mm) | 11. power input | 12. earth terminal |
| 13. guard | | | |

HUMANITY DESIGN

- Big-size door design to provide high efficiency.
- Easy unloading is achievable through pressing inching-button.
- Tilting device is available for SXT1500FZQ and SXT1000EZQ.
- Emergency button is easy accessible for any dangerous situations.
- Control panel is designed friendly to operators.
- Built-in lubrication system makes maintenance easy.
- Dual-inlets and dual-outlets design increase the washing efficiency (optional item).
- Switch between cold and hot water (optional item).
- Manual control is available for emergency washing saving customer's precious time (optional item).
- No flexible connections are required on the washer extractor as all utility connections are mounted on the frame base.

STANDARD FEATURES

- Microcomputer controlled - standard with customized wash cycles
- Programmable on site with manual button operation
- Soft mount - lower installation cost
- Heavy duty suspension
- Programmable high extraction speeds of up to 300G - reduces drying time
- High build quality
- Industrial bearings and water seals
- Large door design for easy-to-operate of loading and unloading
- Front tilting design for faster unloading- ease of single person operation
- Frequency controlled motor for improving energy efficiency.
- S/S 304 for all visible sides except for back panel
- Dual filling function for hot water or cold water
- Steam heating
- Dual draining function for reuse system, water saving
- Flushable soap dispensers
- Air-operated valves
- Protection for over-vibration
- Built-in lubrication design
- Easy-to-access emergency stop button.

WARRANTY

LittleDuck provides 12 months warranty for the heavy duty washer extractors, starting from custom declaration date on China Port.



SXT1000EZQ, 100kg/220lbs capacity



SXT1500FZQ, 150kg/330lbs capacity



Operating Condition in Tilting

Specification for Heavy Duty Washer Extractor

Model Number	SXT1000EZQ		SXT1500FZQ	
CAPACITY				
Dry Weight Capacity	100 kg	220 lbs	150 kg	330 lbs
Drum Diameter	1200 mm	47 ¹ / ₄ inches	1480 mm	58 ¹ / ₄ inches
Drum Depth	870 mm	34 ¹ / ₄ inches	870 mm	34 ¹ / ₄ inches
Drum Volume	983 L	34.71 cu.ft.	1496 L	52.83 cu.ft.
DIMENSIONS				
Width	1902 mm	74 ⁷ / ₈ inches	2230 mm	87 ³ / ₄ inches
Depth	2436 mm	95 ⁵ / ₆ inches	2765 mm	108 ⁵ / ₆ inches
Height	2068 mm	81 ⁵ / ₁₂ inches	2385 mm	93 ⁷ / ₈ inches
WASHING/EXTRACTION				
Washing Speed	38 rpm	38 rpm	28 rpm	28 rpm
Distribution Speed	65 rpm	65 rpm	56 rpm	56 rpm
Low Extract Speed	400 rpm	400 rpm	320 rpm	320 rpm
High Extract Speed	700 rpm	700 rpm	600 rpm	600 rpm
Unloading Speed	15 rpm	15 rpm	10 rpm	10 rpm
G-factor of High Extract	328 G	328 G	300 G	300 G
Work cycle of Standard Mode	50 min	50 min	50 min	50 min
Heated	steam heating	steam heating	Steam heating	Steam heating
CONNECTIONS				
Cold water Inlet	DN 50	2 inches	DN 50	2 inches
Hot water Inlet	DN 50 (optional)	2 inches(optional)	DN 50	2 inches
Steam Inlet	DN 25	1 inch	DN 40	1 ½ inches
Drain Outside Diameter for sewage	φ 110	4 inches	φ 160	6 inches
Drain Outside Diameter for recycling	φ 110 (optional)	4 inches(optional)	φ 160	6 inches
Compressed Air	φ 8	Di. 8mm	φ 10	Di. 10mm
PRESSURE				
Steam	0.4~0.6 Mpa	58~87 psi	0.4~0.6 Mpa	58~87 psi
Cold Water	0.2~0.4 Mpa	30~58 psi	0.2~0.4 Mpa	30~58 psi
Compressed Air	0.4~0.6 Mpa	58~87 psi	0.6~0.8 Mpa	87~116 psi
Power Supply				
AC Voltage	380/415 Volt	380/415 Volt	380/415 Volt	380/415 Volt
Line Frequency	50Hz	50Hz	50Hz	50Hz
Phase	3 Phase	3 Phase	3 Phase	3 Phase
CONSUMPTION				
Motor Power	8.5 Kw	12 HP	30 Kw	40 HP
Water consumption	1800 Liters/cycle	1800 Liters/cycle	2200 liters/cycle	2200 liters/cycle
Steam consumption	60 kg/cycle	132 lbs/cycle	90 kg/cycle	198 lbs/cycle
Electricity consumption for standard cycle	1.7 Kw/cycle	1.7 Kw/cycle	6 Kwh/cycle	6 Kwh/cycle
Noises	<75 dB	<75 dB	<75 dB	<75 dB
Net Weight	3500 Kg	7700 lbs	5800 Kg	12760 lbs

All specifications subject to change without notice.

Shandong LittleDuck Group Co., Ltd.
 Add: Gongye Nan Road, Jinan, Shandong, 250101 China
 Tel: 0086-531-8312 2094, 8312 2068
 Fax: 0086-531-88681524
 Website: www.littleduckgroup.com.cn