

Environmentally friendly
Ergonomic
Efficient
Elegant
Elaborative
Expansibility
Easy Maintenance



LittleDuck
E7 SERIES REFRIGERATION SHOWCASE

Single Side Island Freezer

E7 California
Night Curtain or Glass Cover

Width 1100mm
Length 1875mm, 2200mm, 2500mm, 3750mm
Top Shelf Option: 1 tier, 2 tier
Optional: LED lighting, Energy-saving Fan



Night Curtain Model



Sliding Glass Cover Model



CE ISO9001 ISO14001

Standard Options:

- Case width 1100mm
- Length Option: 1875mm, 2200mm, 2500mm & 3750mm, can be jointed together according to user's needs.
- Cover Option: night curtain or sliding glass cover
- Optional Inner divider, painted wire
- End panel option: PU-glass end panel, PU end panel.
- Available plastic price-tag
- Defrost: electrical heater
- Controller: CAREL brand, Easy series
- Expansion Valve: DANFOSS, balance mechanical thermal expansion valve.
- Fan motor: EBM, conventional energy efficiency
- Refrigerant: R404a
- Color: RAL standard

Energy Saving Option:

- With sliding glass cover
- High Efficiency Fans with CAREL multi-function controller
- Hot Gas Defrosting

Intelligent Control Option:

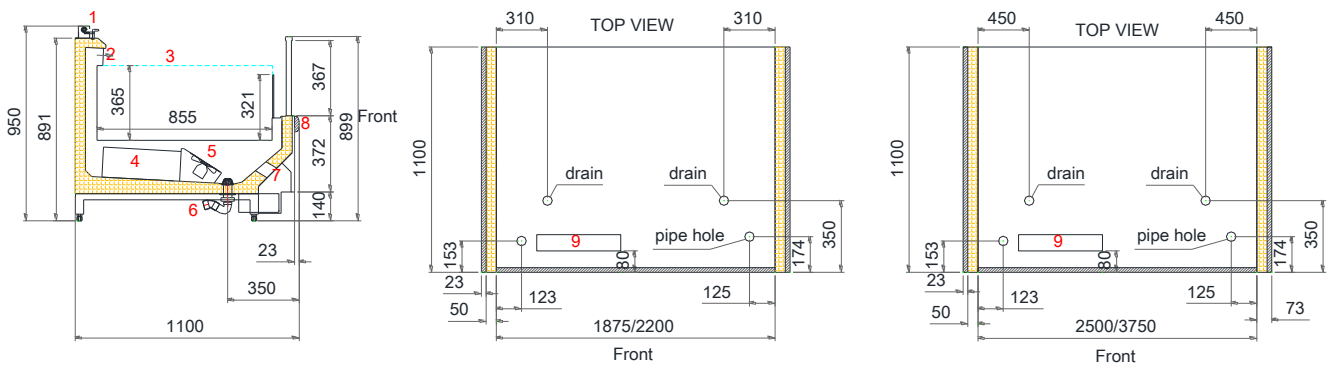
- CAREL MPX Controller with thermal expansion valve (TEV).
- CAREL MPX Controller with electronic expansion valve (EEV).

Application:

It is used to display and sell all kinds of frozen foods, ice cream, the marine products and so on, when the temperature is -18 to -21°C.

Features and Benefits:

1. The asymmetry structure of vortex cooling air curtain is used, the refrigeration effect is uniform, so that solve the problem of frosting blockage.
2. The high efficiency evaporator and the balance mechanical thermal expansion valve are used, so that cut down the time of defrosting, reduce the energy consumption.
3. The rust protection and preservative treatment is conducted for all steel components.
4. The aluminum alloy is treated by frost and oxidation.
5. The electrostatic spraying is used for appearance of some parts.
6. The sliding glass cover and night curtain is optional, so that save energy and guarantee the health of food.
7. The running condition of goods can be monitored by computer in real time when using intelligent control.
8. Adopted easy disassemble design for the bottom plates, back plates, cover plate of fan.
9. Optional Hot Gas Defrosting mode for energy saving.
10. Designed filter for drainage inlet to prevent blockages of drain system.
11. Surface color can be made in line with RAL Standard.



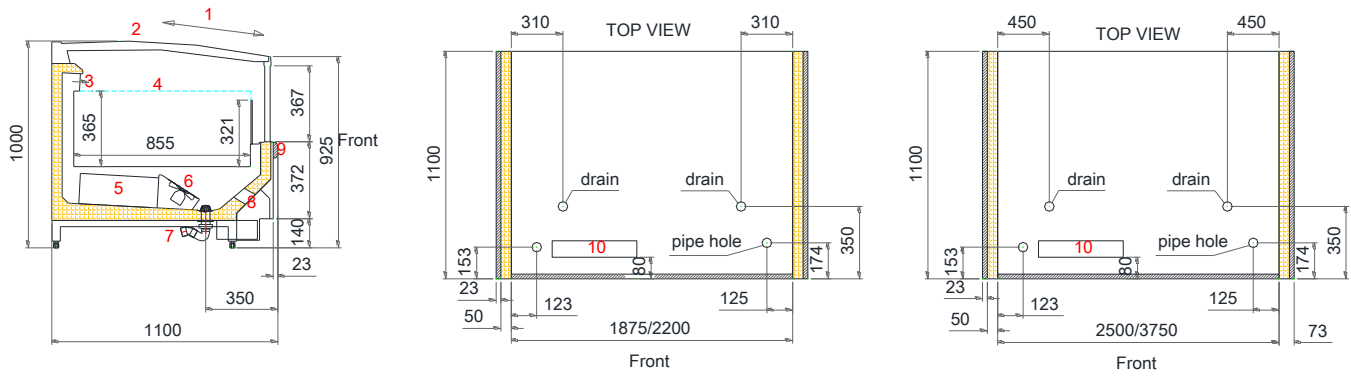
- 1. Night Curtain
- 2. Air Curtain
- 3. Load Limit
- 4. Coil
- 5. Fan
- 6. Drain
- 7. Pipe Hole
- 8. Bumper
- 9. Electrical box

CAPACITY	Case Length	Cover Option	Model Number	Dimension, mm	Display Area, m ²	Capacity, dm ³
	18 (1875mm)	Night Curtain	DD-E7JL-F183Y-01	1875x1100x950	2.20	423
	22 (2200mm)	Night Curtain	DD-E7JL-F223Y-01	2200x1100x950	2.58	496
	25 (2500mm)	Night Curtain	DD-E7JL-F253Y-01	2500x1100x950	2.94	564
	37 (3750mm)	Night Curtain	DD-E7JL-F373Y-01	3750x1100x950	4.39	846

ELECTRICAL DATA	Case Length	Optional 1 Tier Lighting Data @ 220V					Fan Data @ 220V				Electrical Heater				
		Lamps Qty.	Fluorescent T8 Lighting		LED Lighting		Fans Qty.	Standard Fans		High Efficiency Fans		Frame Anti-Sweat @ 220V		Defrosting @ 380V	
			Amps	Watts	Amps	Watts		Amps	Watts	Amps	Watts	Amps	Watts	Amps	Watts
		18 (1875mm)	NA	NA	NA	NA	NA	2	0.26	58	0.05	10	1.35	298.00	10.23
22 (2200mm)	NA	NA	NA	NA	NA	2	0.26	58	0.05	10	1.55	340.40	11.45	2,520	
25 (2500mm)	NA	NA	NA	NA	NA	2	0.26	58	0.05	10	1.58	348.00	11.36	2,500	
37 (3750mm)	NA	NA	NA	NA	NA	3	0.4	87	0.07	15	2.15	472.40	17.05	3,750	

REFRIGERATION DATA	Case Length	Cover Option	Application at T=25 °C, RH=60%	Refrigerant Gas	Required Cooling Capacity, W	Saturated suction Temp. °C	Input Power, Watts	Rated Current, Amps	Power Consumption, Kwh/24h
	18 (1875mm)	Night Curtain	-18~-22 °C	R404a	675	-35	2,606	11.98	13.28
	22 (2200mm)	Night Curtain	-18~-22 °C	R404a	830	-35	2,918	13.40	14.84
	25 (2500mm)	Night Curtain	-18~-22 °C	R404a	900	-35	2,906	13.35	14.98
	37 (3750mm)	Night Curtain	-18~-22 °C	R404a	1,350	-35	4,309	19.79	21.17





- 1. Front/Back Sliding
- 2. Sliding Glass Cover
- 3. Air Curtain
- 4. Load limit
- 5. Coil
- 6. Fan
- 7. Drain
- 8. Pipe Hole
- 9. Bumper
- 10. Electrical box

CAPACITY	Case Length	Cover Option	Model Number	Dimension, mm	Display Area, m ²	Capacity, dm ³
	18 (1875mm)	Sliding Glass Cover	DD-E7JL-F183Q-01	1875x1100x1000	1.96	423
	22 (2200mm)	Sliding Glass Cover	DD-E7JL-F223Q-01	2200x1100x1000	2.29	496
	25 (2500mm)	Sliding Glass Cover	DD-E7JL-F253Q-01	2500x1100x1000	2.65	564
	37 (3750mm)	Sliding Glass Cover	DD-E7JL-F373Q-01	3750x1100x1000	3.95	846

ELECTRICAL DATA	Case Length	Optional 1 Tier Lighting Data @ 220V				Fan Data @ 220V				Electrical Heater					
		Lamps Qty.	Fluorescent T8 Lighting		LED Lighting		Fans Qty.	Standard Fans		High Efficiency Fans		Frame Anti-Sweat @ 220V		Defrosting @380V	
			Amps	Watts	Amps	Watts		Amps	Watts	Amps	Watts	Amps	Watts	Amps	Watts
	18 (1875mm)	NA	NA	NA	NA	NA	2	0.26	58	0.05	10	1.35	298.00	10.23	2,250
22 (2200mm)	NA	NA	NA	NA	NA	2	0.26	58	0.05	10	1.55	340.40	11.45	2,520	
25 (2500mm)	NA	NA	NA	NA	NA	2	0.26	58	0.05	10	1.58	348.00	11.36	2,500	
37 (3750mm)	NA	NA	NA	NA	NA	3	0.4	87	0.07	15	2.15	472.40	17.05	3,750	

REFRIGERATION DATA	Case Length	Cover Option	Application at T=25 °C, RH=60%	Refrigerant Gas	Required Cooling Capacity, W	Saturated suction Temp. °C	Input Power, Watts	Rated Current, Amps	Power Consumption, Kwh/24h
	18 (1875mm)	Sliding Glass Cover	-18~-22°C	R404a	574	-35	2,606	11.98	12.20
	22 (2200mm)	Sliding Glass Cover	-18~-22°C	R404a	650	-35	2,918	13.40	13.60
	25 (2500mm)	Sliding Glass Cover	-18~-22°C	R404a	765	-35	2,906	13.35	13.70
	37 (3750mm)	Sliding Glass Cover	-18~-22°C	R404a	1,148	-35	4,309	19.79	19.30

